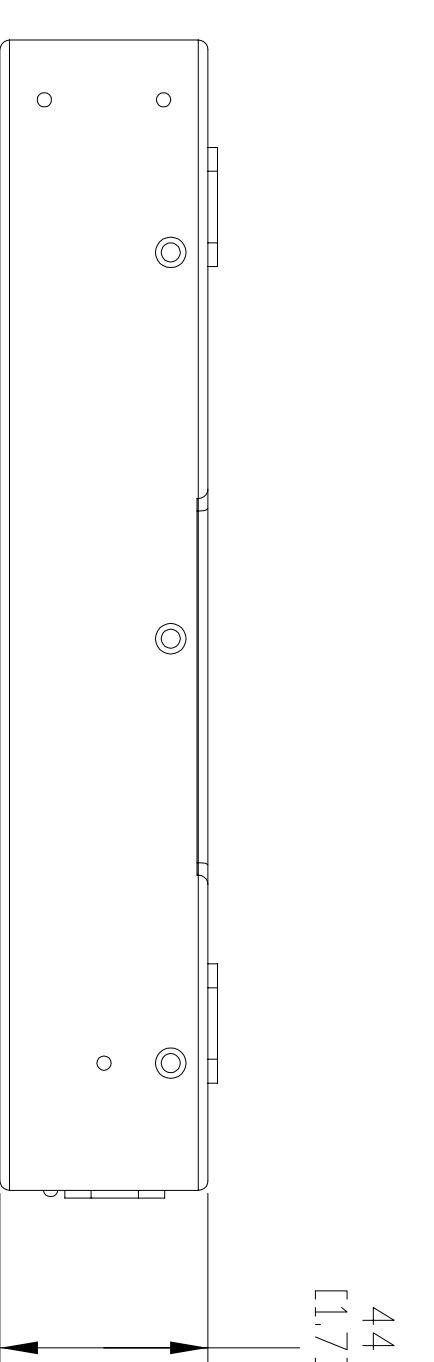
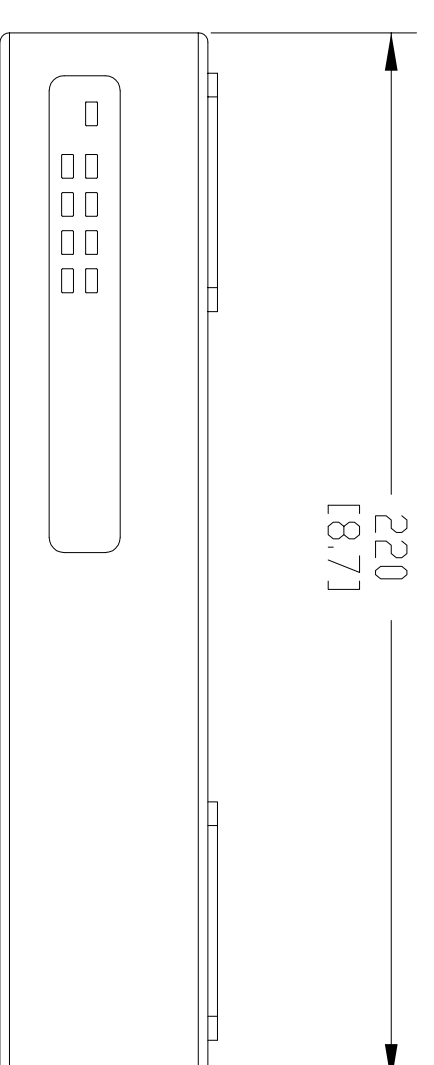
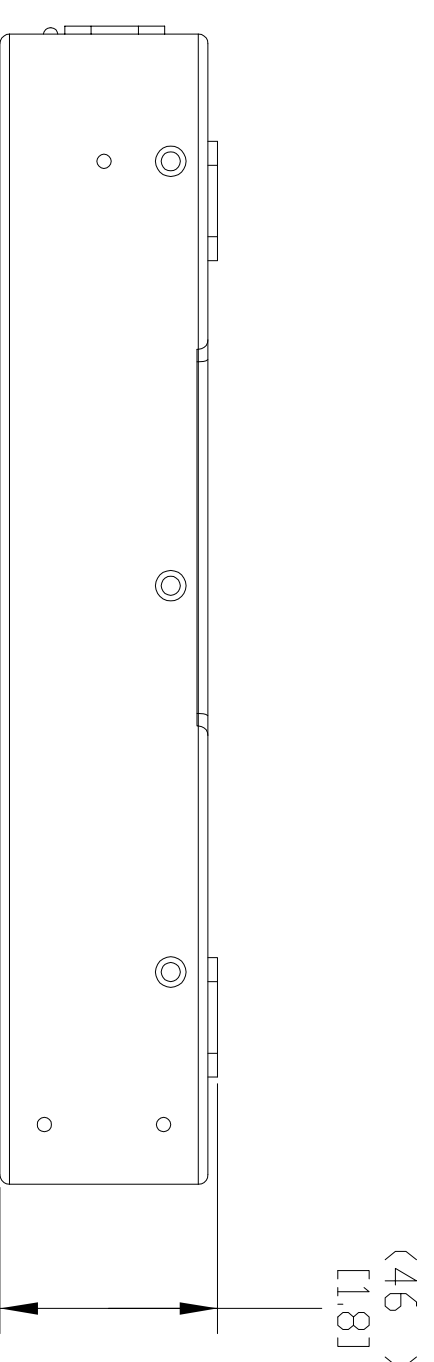
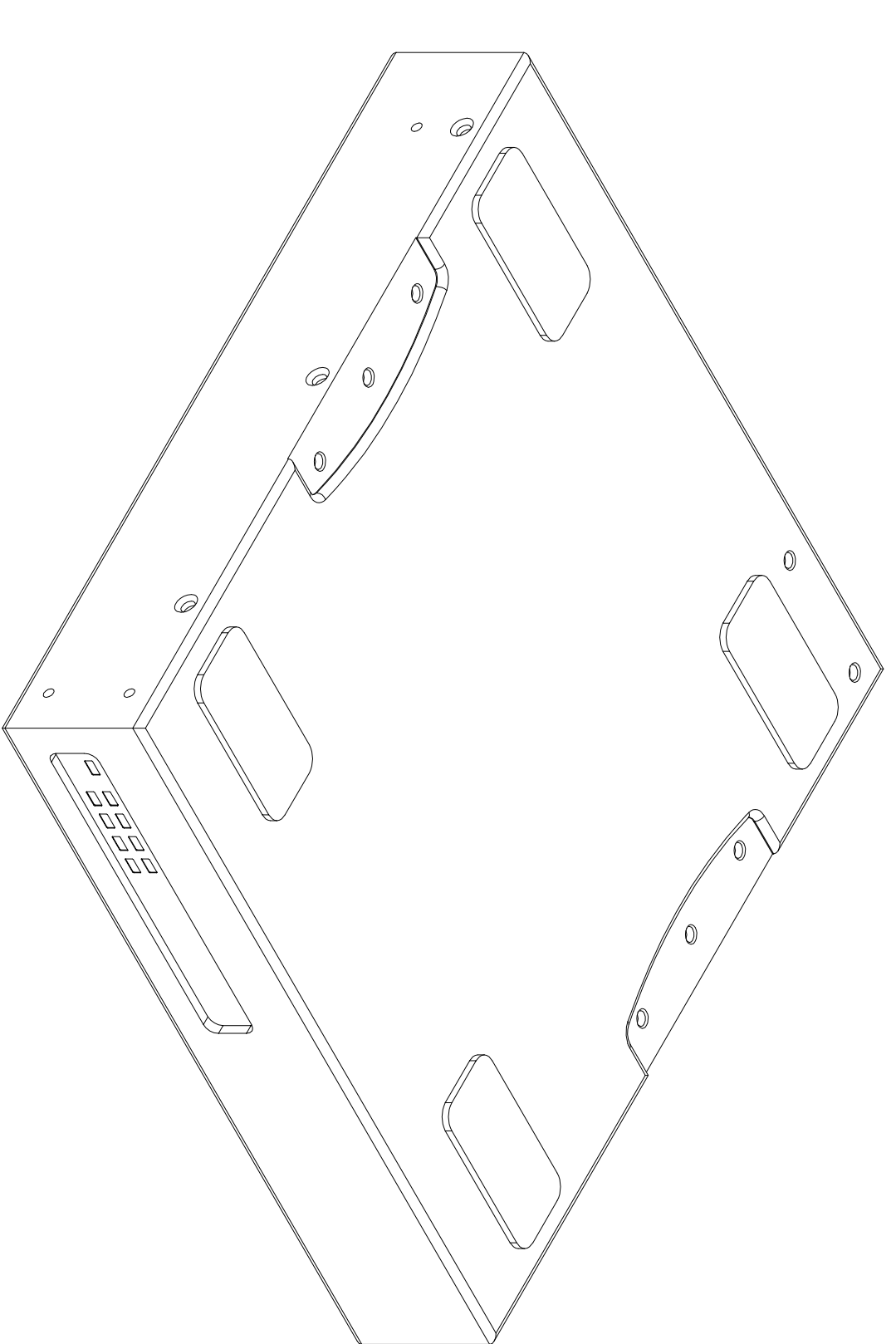
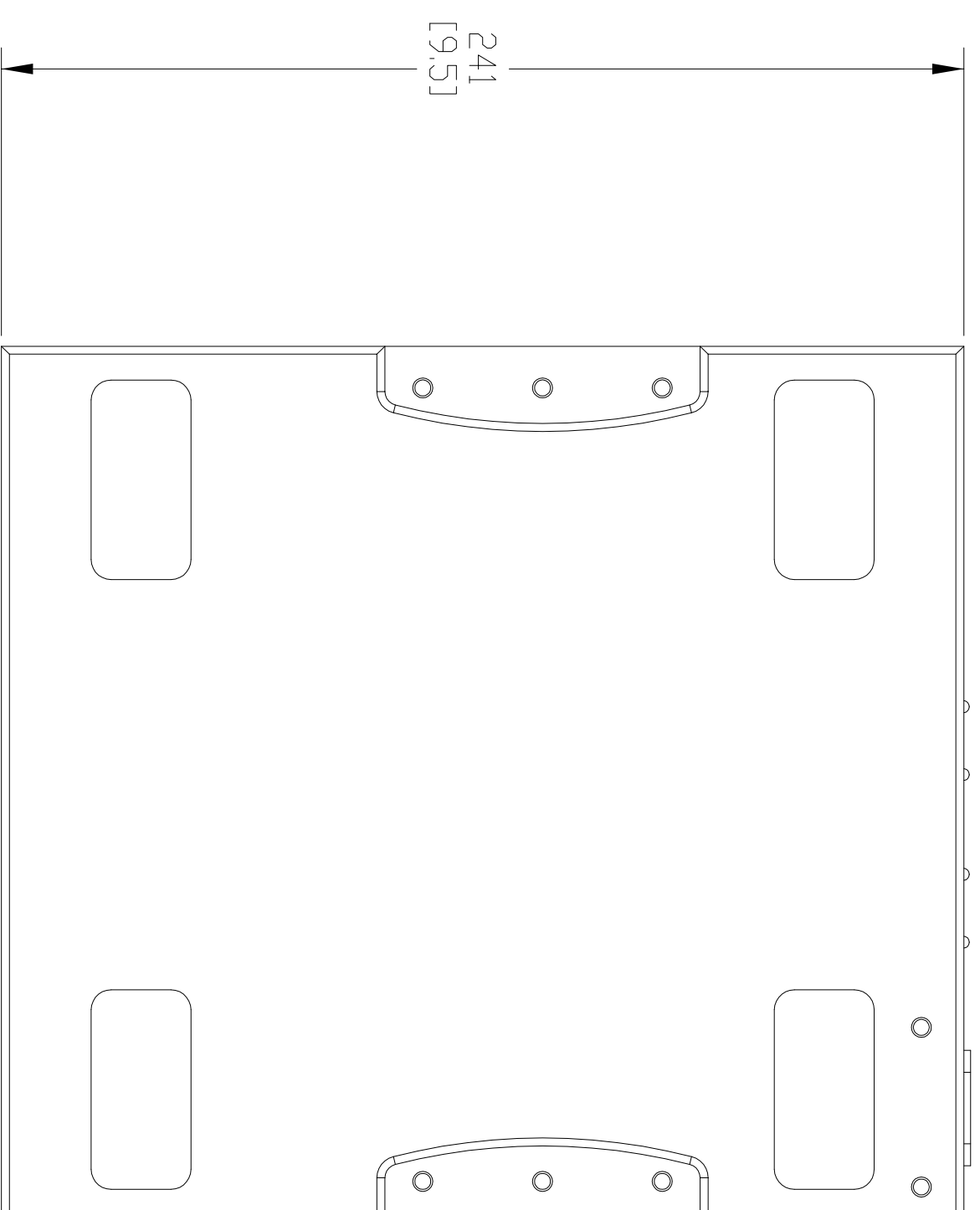


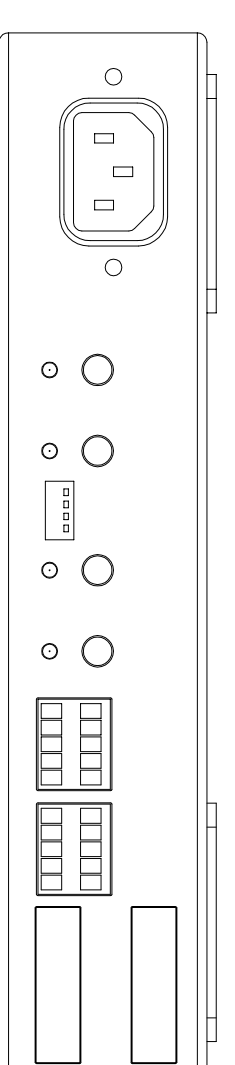
THIS DOCUMENT CONTAINS PROPRIETARY INFORMATION
 WHICH IS THE PROPERTY OF OSC AUDIO PRODUCTS.
 IT IS TO BE USED ONLY FOR THE PROJECT FOR WHICH
 IT WAS SPECIFICALLY DESIGNED. REPRODUCTION
 OR DISSEMINATION OF THIS DOCUMENT WITHOUT
 EXPRESS WRITTEN CONSENT FROM OSC AUDIO PRODUCTS
 IS PROHIBITED.

8 7 6 5 4 3 2 1

REV		REVISIONS	
REV	DESCRIPTION	BY	DATE



FRONT VIEW



REAR VIEW

5. MEETS UL2043 WITH PLENUM KIT F-G-000995-00.
4. MEETS ENERGYSTAR REQUIREMENTS.
3. CHASSIS DESIGNED TO MEET IU RACK MOUNT SPECIFICATION IEC60297-3-100.
2. FEATURES SYMMETRICAL ABOUT CENTERLINE.
1. NET WEIGHT OF SPA4-100 APPROX. 1.4 KG (4.0 LBS). HARDWARE IS ADDITIONAL WEIGHT.

NOTES: UNLESS OTHERWISE SPECIFIED.

UNLESS OTHERWISE SPECIFIED, DIMENSIONS IN MILLIMETERS (IN)		DESIGNER	
TOLERANCES ARE:		ENGINEERING SERVICES	
DECIMALS	FRACTIONS	ANGLES	
X .30(2)	XX 25(0.01)	1/2	
SHARP EDGES .25 (0.01) R MAX		TECHNICAL DIRECTOR	
MATERIAL		MANUFACTURING ENGINEER	
FINISH		DRAWING INFO	
		MODEL INFO	
		SCALE	
		SIZE	
		CASE CODE	
		DRAWING NO.	
		REV	
		A	
		1 OF 1	

OSPC OSC AUDIO PRODUCTS, LLC
 1675 MACARTHUR BOULEVARD
 COSTA MESA, CA 92626

SPA4-100, FREE-STANDING

8 7 6 5 4 3 2 1