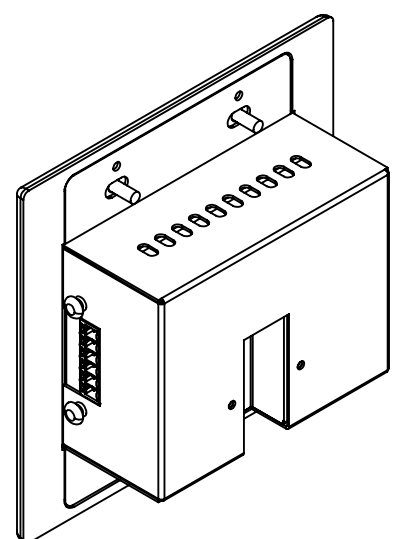
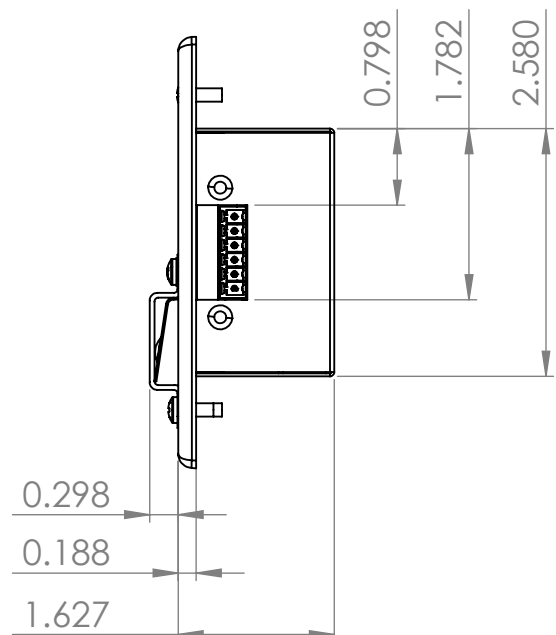
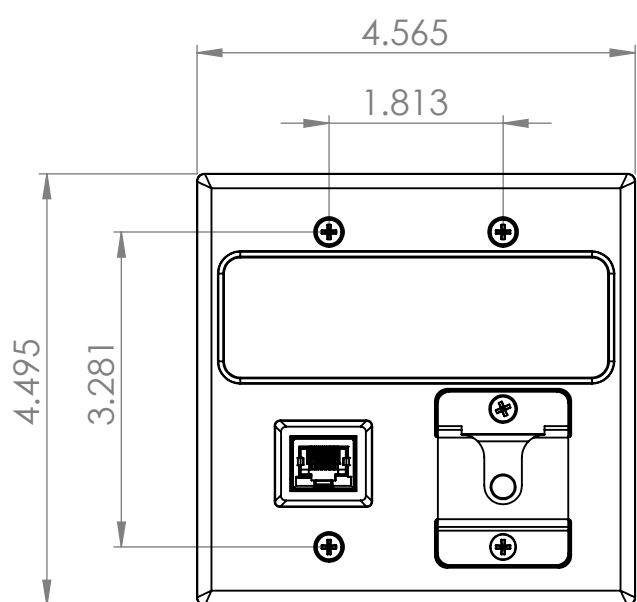
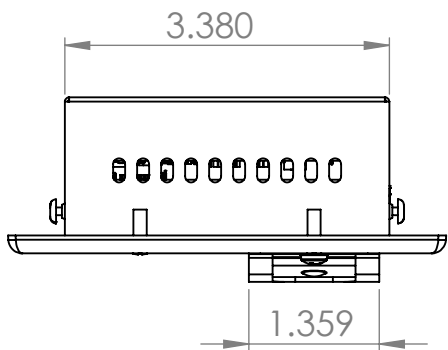


4

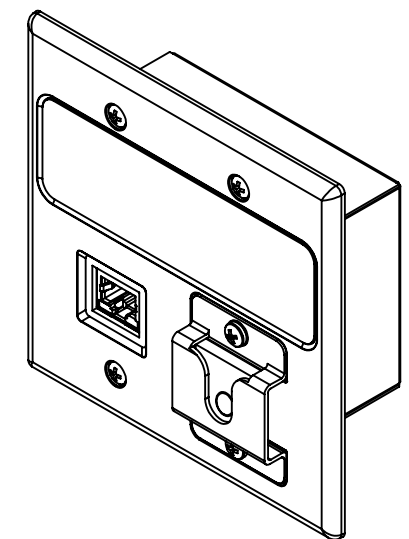
3

2


1



REAR ISOMETRIC VIEW



FRONT ISOMETRIC VIEW

MATERIAL:		CLIENT NAME: (C) 2018 ATTEROTECH		
FINISH:		PART NO.		
UNLESS OTHERWISE SPECIFIED: DIMENSIONS ARE IN INCHES TOLERANCE: ANGLE +/- 1 DEG X.XX= +/- 0.01" X.XXX= +/- 0.010" DO NOT SCALE DRAWING	DESIGNER MCH	DATE 03/05/18	DESCRIPTION INSTALLATION DRAWING, ATTERO TECH, ZIP4	
	CUSTOMER	DATE		
THE INFORMATION CONTAINED IN THIS DOCUMENT IS ISSUED IN STRICT CONFIDENCE AND SHALL NOT, WITHOUT PRIOR WRITTEN PERMISSION OF THE CLIENT BE REPRODUCED, COPIED OR USED FOR ANY PURPOSE WHATSOEVER AND MUST BE RETURNED UPON REQUEST.	MFG	DATE	SIZE B	DOC REV. 1.0
	APPROVED	DATE	SCALE 1:2	SHEET 1 OF 1

4

3

2

1

B

B

A

A