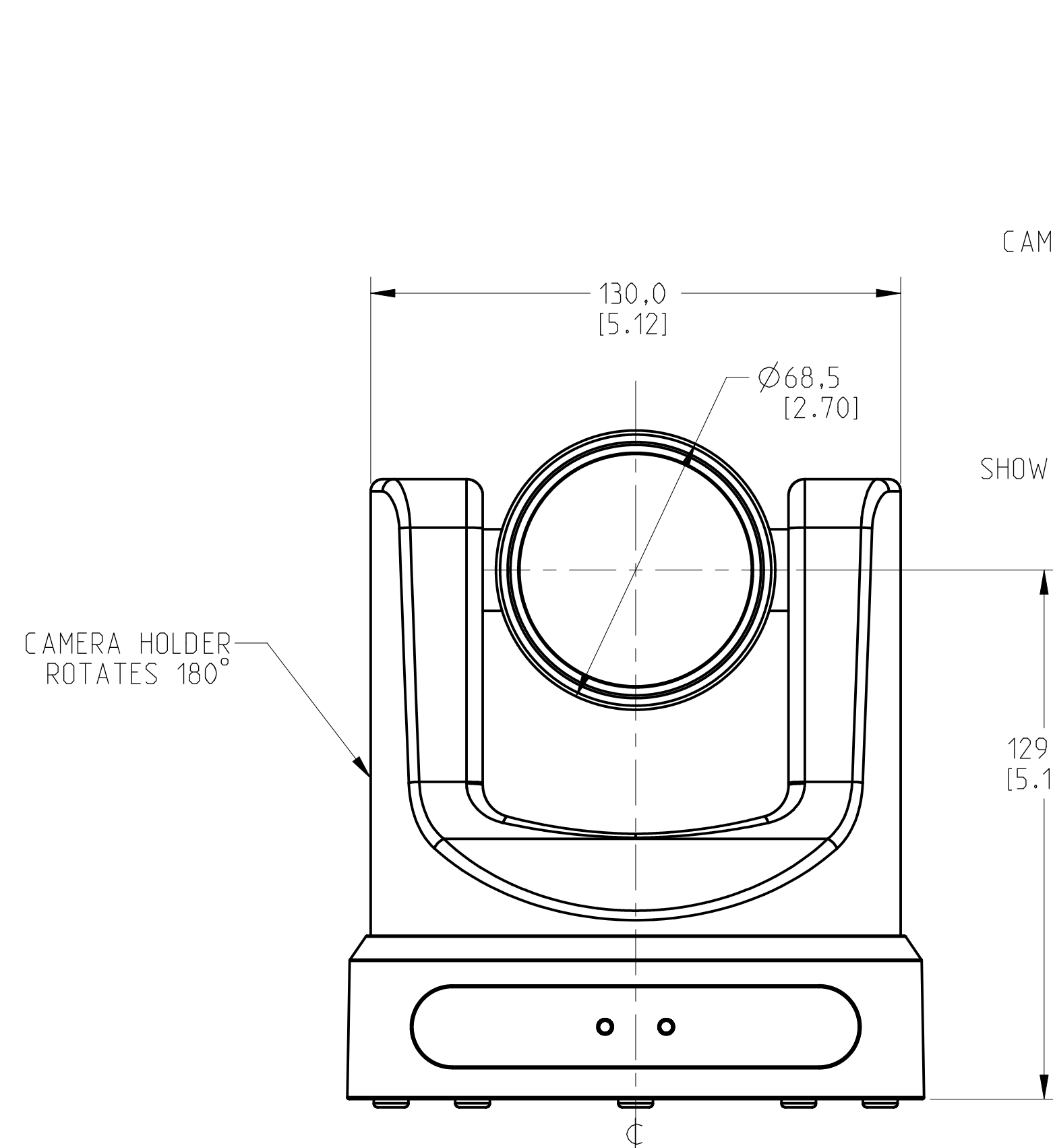
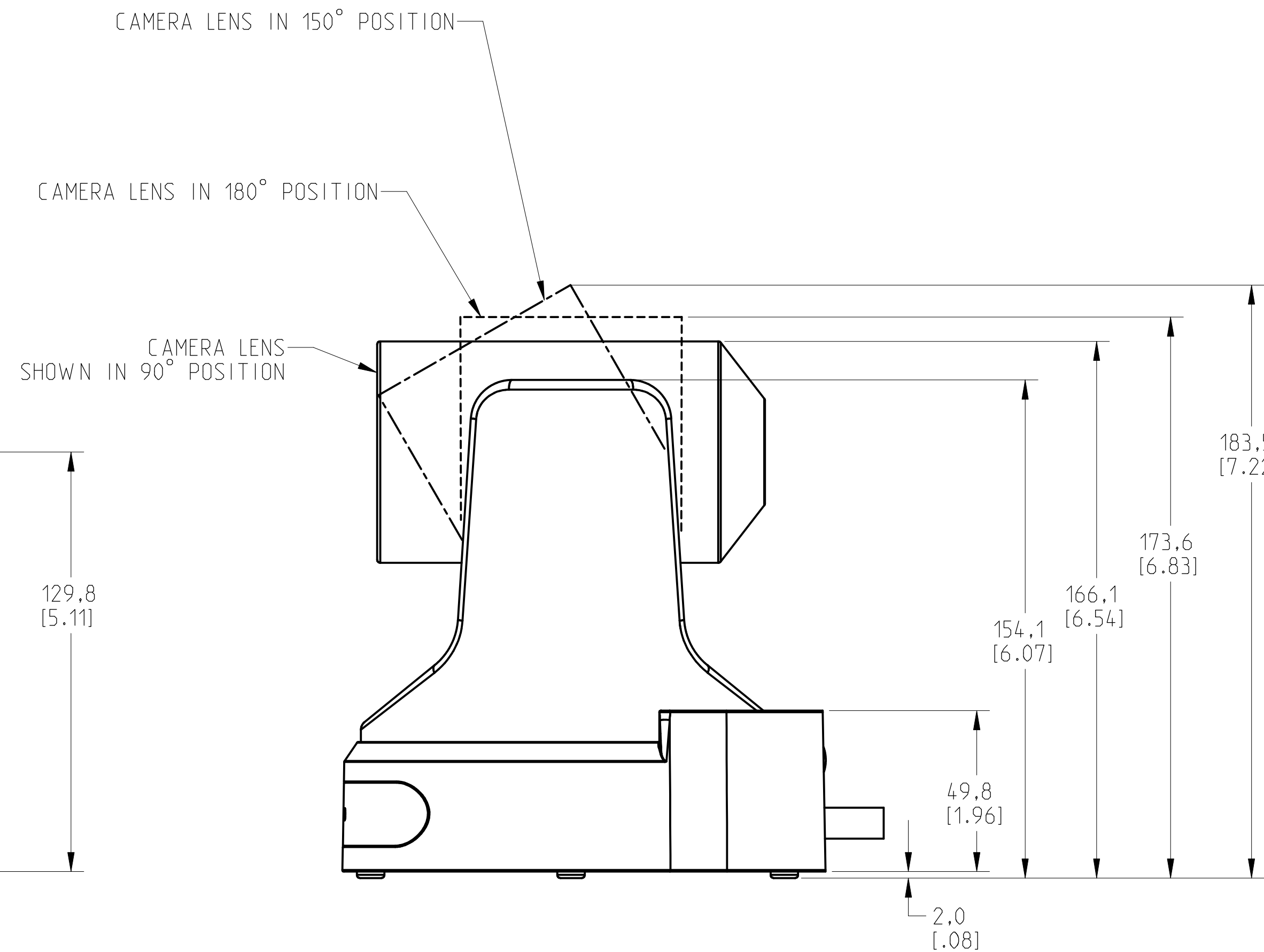


THIS DOCUMENT CONTAINS PROPRIETARY INFORMATION WHICH IS THE PROPERTY OF QSC, LLC. THAT MAY NOT BE DISCLOSED, REPRODUCED OR USED WITHOUT EXPRESS WRITTEN CONSENT FROM QSC, LLC.

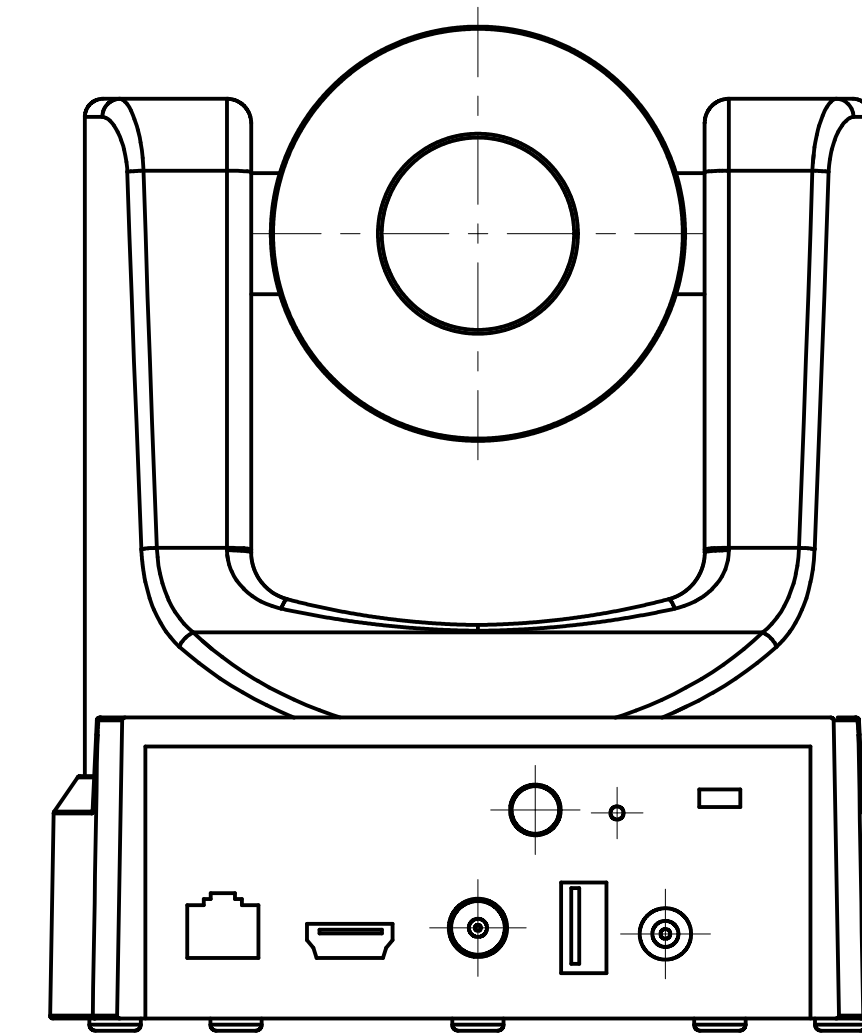
REVISIONS			
REV	DESCRIPTION	BY	DATE
A	RELEASE FOR SALES AND MARKETING	SS	15-NOV-16



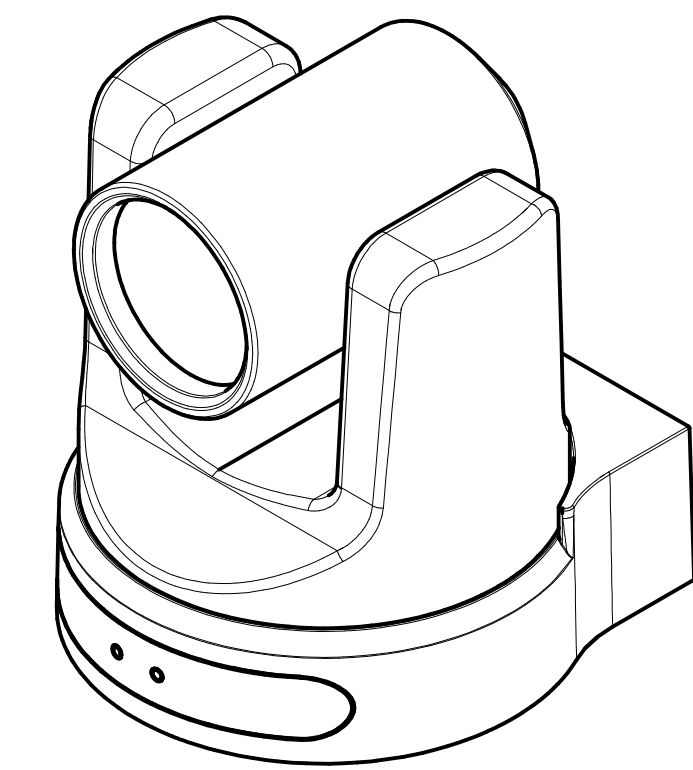
FRONT VIEW



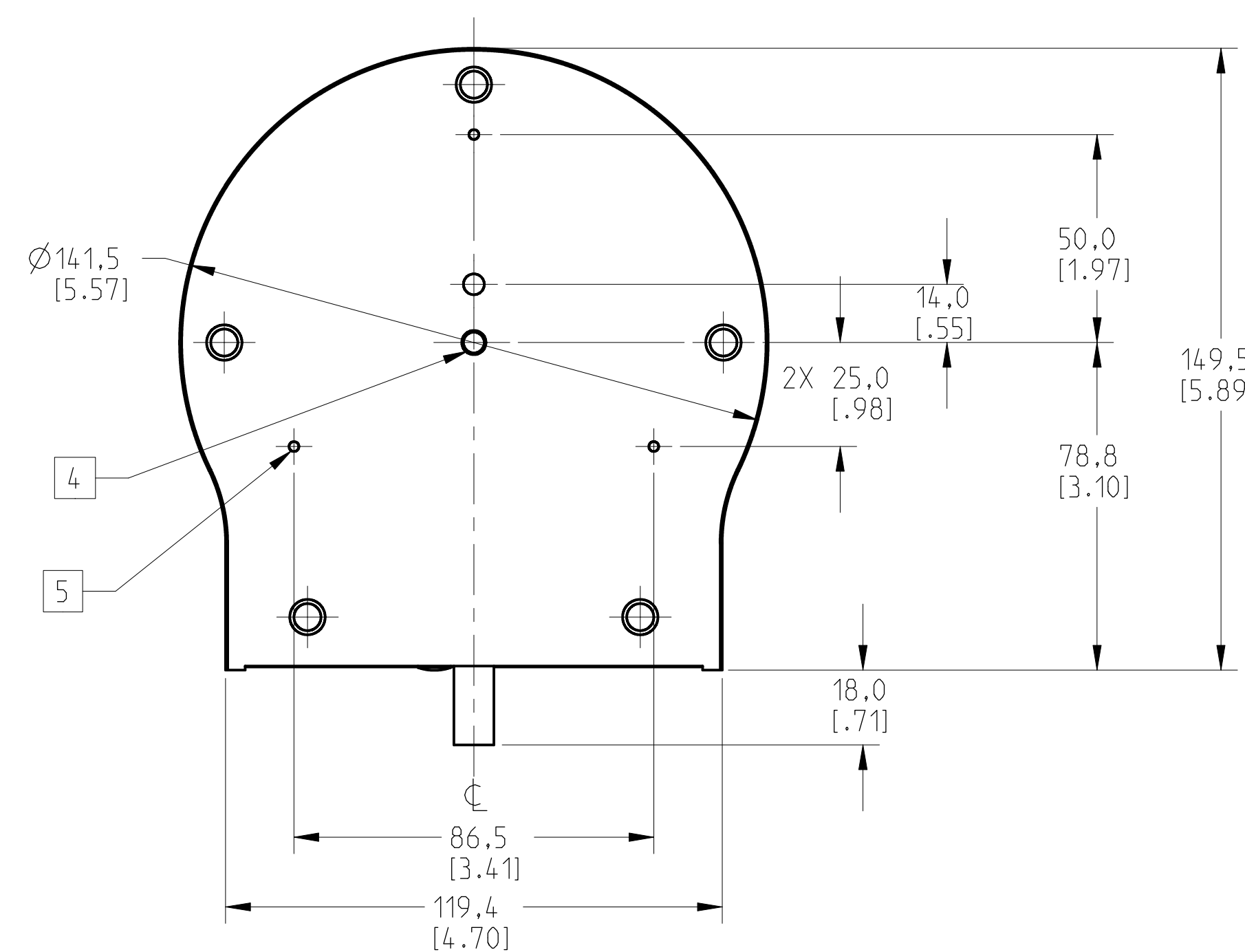
SIDE VIEW



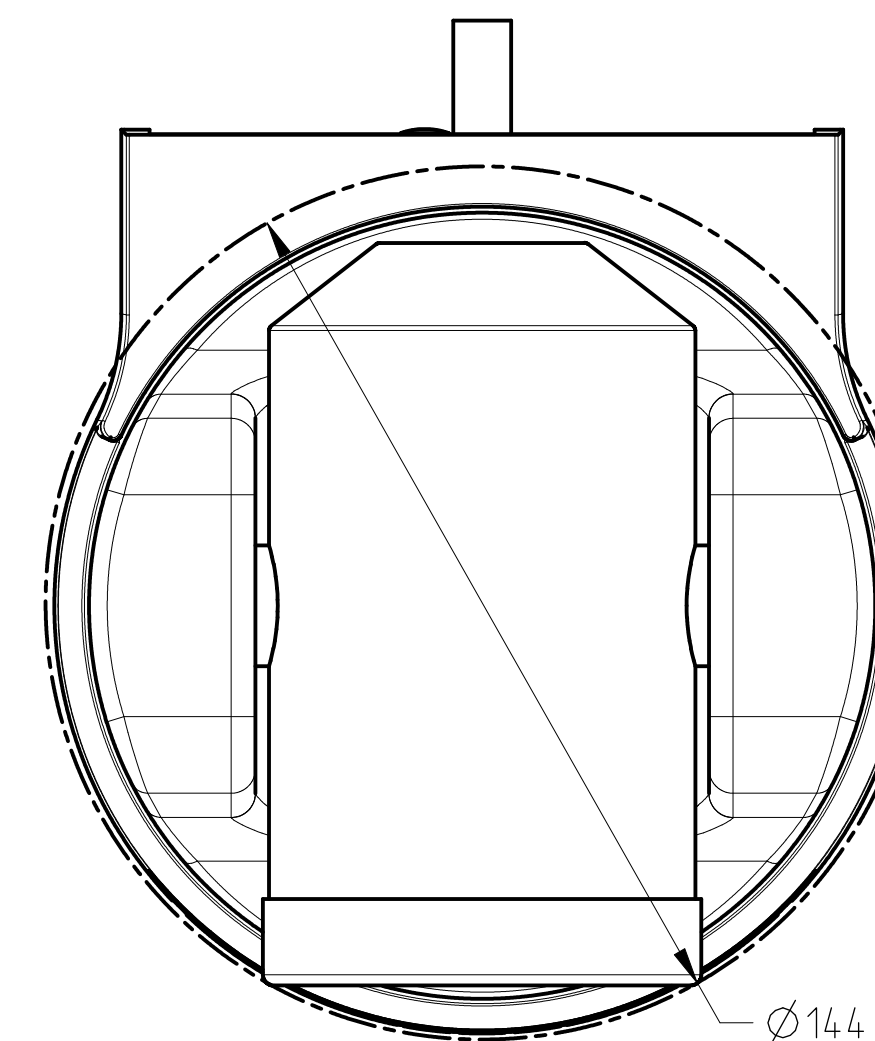
REAR VIEW



SCALE 0.500



BOTTOM VIEW



TOP VIEW WITH LENS CAP
SCALE 0.800

- 5 BRACKET MOUNTING, 3X M4x40 THREAD
- 4 MOUNTING POINT, 1/4-20 THREAD.
- 3. PARTS ARE SYMMETRICAL ABOUT CENTER LINES UNLESS OTHERWISE NOTED.
- 2. TOLERANCES (MM): X ± 3, ANGLES: ± 1°.
- 1. NET WEIGHT APPROX. 3.0 LBS (1.4 KG)

NOTE: UNLESS OTHERWISE SPECIFIED

UNLESS OTHERWISE SPECIFIED DIMENSIONS IN MILLIMETERS (IN) TOLERANCES ARE: DECIMALS .X±.01 FRACTIONALS XX±.25(.010) ± 1/2 DECURR EDGES .25 (1.010) R MAX	DESIGNER S. STASIAK	QSC, LLC 1675 MACARTHUR BOULEVARD COSTA MESA, CA 92626												
	ENGINEER													
MATERIAL	TECHNICAL DIRECTOR	CAMERA, PTZ-20X60, 12V, GY FINISHED												
FINISH	MANUFACTURING ENGINEER													
DRAWING INFO: FG-222020-2D-A.1	MODEL INFO: FG-222020-3D-A.1	<table border="1"> <tr> <td>SIZE</td> <td>CAGE CODE</td> <td>DRAWING NO.</td> <td>REV</td> </tr> <tr> <td>D</td> <td>00PW4</td> <td>FG-222020-2D</td> <td>A</td> </tr> <tr> <td>SCALE: 0.800</td> <td>DO NOT SCALE DRAWING</td> <td>SHEET</td> <td>1 OF 1</td> </tr> </table>	SIZE	CAGE CODE	DRAWING NO.	REV	D	00PW4	FG-222020-2D	A	SCALE: 0.800	DO NOT SCALE DRAWING	SHEET	1 OF 1
SIZE	CAGE CODE	DRAWING NO.	REV											
D	00PW4	FG-222020-2D	A											
SCALE: 0.800	DO NOT SCALE DRAWING	SHEET	1 OF 1											