

### Q-SYS™ PTZ-IP Cameras



### IMPORTANT SAFETY INSTRUCTIONS



1. Read these instructions.
2. Keep these instructions.
3. Heed all warnings.
4. Follow all instructions.
5. Install in accordance with the manufacturer's instructions.
6. Only use attachments/accessories specified by the manufacturer.
7. Refer all servicing to qualified service personnel.
8. Adhere to all applicable, local codes.
9. Use only a Class 2 / LPS Power Supply.

### Maintenance and Repair



**WARNING:** Advanced technology, e.g., the use of modern materials and powerful electronics, requires specially adapted maintenance and repair methods. To avoid a danger of subsequent damage to the apparatus, injuries to persons and/or the creation of additional safety hazards, all maintenance or repair work on the apparatus should be performed only by a QSC authorized service station or an authorized QSC International Distributor. QSC is not responsible for any injury, harm or related damages arising from any failure of the customer, owner or user of the apparatus to facilitate those repairs.

### FCC Statement



**NOTE:** This equipment has been tested and found to comply with the limits for a Class A digital device, pursuant to part 15 of the FCC Rules. These limits are designed to provide reasonable protection against harmful interference when the equipment is operated in a commercial environment. This equipment generates, uses, and can radiate radio frequency energy and, if not installed and used in accordance with the instruction manual, may cause harmful interference to radio communications. Operation of this equipment in a residential area is likely to cause harmful interference in which case the user will be required to correct the interference at his own expense.

### RoHS STATEMENT

The QSC Q-SYS PTZ-IP Cameras PTZ-12x72 and PTZ-20x60 are in compliance with European Directive 2011/65/EU – Restriction of Hazardous Substances (RoHS2).

The QSC Q-SYS PTZ-IP Cameras PTZ-12x72 and PTZ-20x60 are in compliance with “China RoHS” directives. The following chart is provided for product use in China and its territories:

### Packing List

Item	Quantity
Camera PTZ-12x72 or PTZ-20x60	1
Quick Start Guide TD-000541-00	1
Safety document	1
Wall Bracket	1
Fastener Kit (five M3*6 screws, and one 1/4 20 screw)	1



**CAUTION:** Do not carry the camera by the lens assembly, do not turn the lens assembly by hand. Mechanical damage may occur.

TD-000541-01-B



# Connections and Controls

## Front Panel

1. STATUS LED –
  - Green LED
  - Off indicates the camera is in STANDBY mode, network streams are off.
  - On indicates the camera is streaming video over the network.
  - Blinking indicates the ID mode is on
2. POWER LED -
  - Blue LED
  - On indicates the camera has power applied
  - Off indicates the camera has no power applied

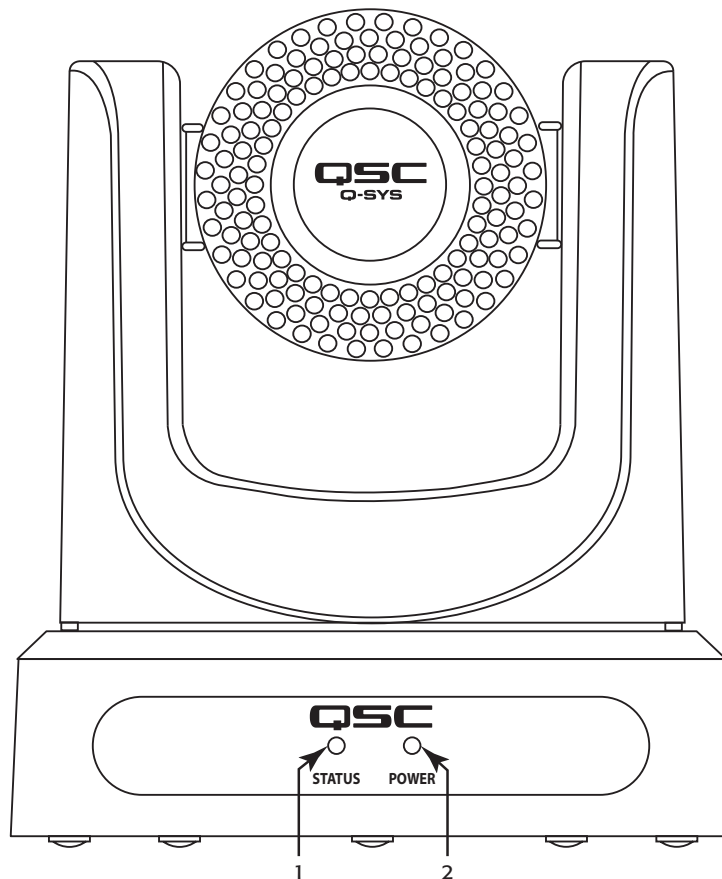
## Rear Panel

1. **Label**
  - Model: PTZ-12x72 or PTZ-20x60
  - MAC Address
  - Serial Number (on the bottom of the unit)
2. **ID Button** – Press to identify this piece of equipment in Q-SYS Designer, and Configurator. The green STATUS LED, on the front panel, blinks when in ID mode.
3. **FACTORY RESET pin-hole** – Use a paperclip or similar object to insert and press and hold the reset button for 5 seconds. This resets all parameters to the factory defaults.
4. **Kensington™ Lock slot** – Security cable not supplied.
5. **LAN / POE** – Q-SYS Gigabit Ethernet port / CAT5e or better / RJ45 / connect to the Q-LAN™ network switch with Power over Ethernet
6. **HDMI** – Camera output to various video formats setup by the users through Q-SYS Designer or a Q-SYS UCI (User Controlled Interface)

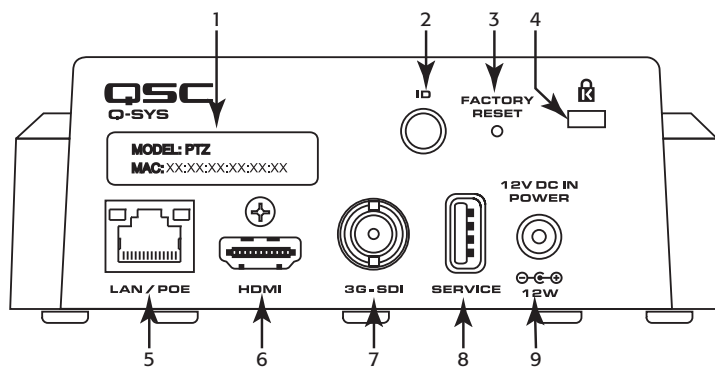


**NOTE:** When a video format is selected, it is used by both the HDMI and 3G SDI outputs.

7. **3G SDI** – Camera output to various video formats setup by the user. Setup is through Q-SYS Designer or a Q-SYS UCI
8. **SERVICE** – No user-accessible functionality.
9. **DC 12 V** – Connect an external power supply (not included). Supply to be rated at 12 V / 1 A, center-pin positive, outside barrel negative. Use only a Class 2 / LPS Power Supply.



– Figure 1 –



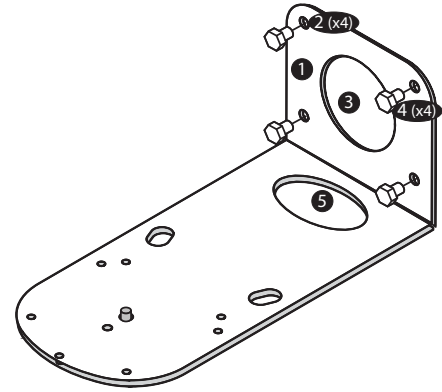
– Figure 2 –

# Installation

## Install the Wall Mount Bracket

Refer to Figure 3

1. Select location on the wall or other vertical surface where the camera is to be mounted. Make sure the surface is strong enough to hold the weight of the camera and bracket.
2. Use the short side (1) of the bracket as a template to mark the location of the four mounting holes (2) onto the wall.
3. If the camera cables are installed inside the wall, run the cables through the large hole (3) in the short side of the bracket.
4. Using appropriate screws (4), as necessary (not supplied), attach the bracket to the wall. Tighten the attaching hardware.



– Figure 3 –

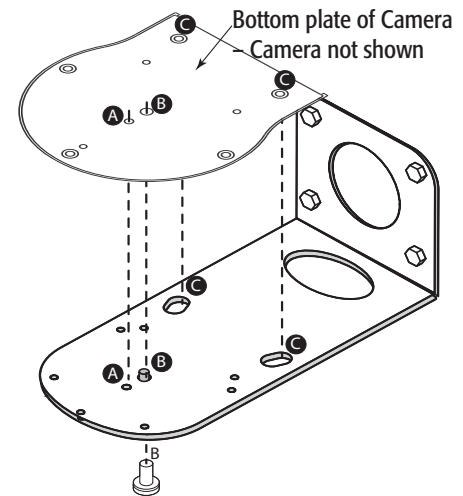
## Mount the Camera on the Wall Bracket

Refer to Figure 4

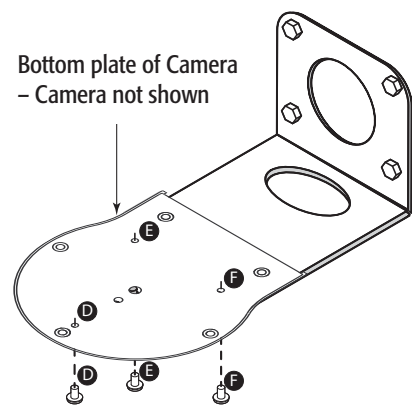
1. Align hole A on the bottom of the camera with the alignment pin A on the wall bracket. Place the camera onto the bracket so the alignment pin is inserted into the alignment hole on the camera and the rubber feet (C) on the bottom of the camera are inserted into the two slots (C).
2. Install the larger screw (B) up through the wall bracket into the threaded hole on the bottom of the camera. Use a Phillips screwdriver to loosely tighten the screw.

Refer to Figure 5

3. Install three smaller screws D, E, and F up through the wall bracket into the bottom of the camera. Tighten the screws using a Phillips screwdriver.
4. Tighten the larger screw installed earlier.
5. If the camera cables are not installed in the wall, run the cables up through the oval hole (5) in the longer part of the bracket.
6. Attach the cables to the appropriate connectors on the back of the camera per installation requirements.
7. Secure the cables to the bracket so that there is no strain placed on the connectors.

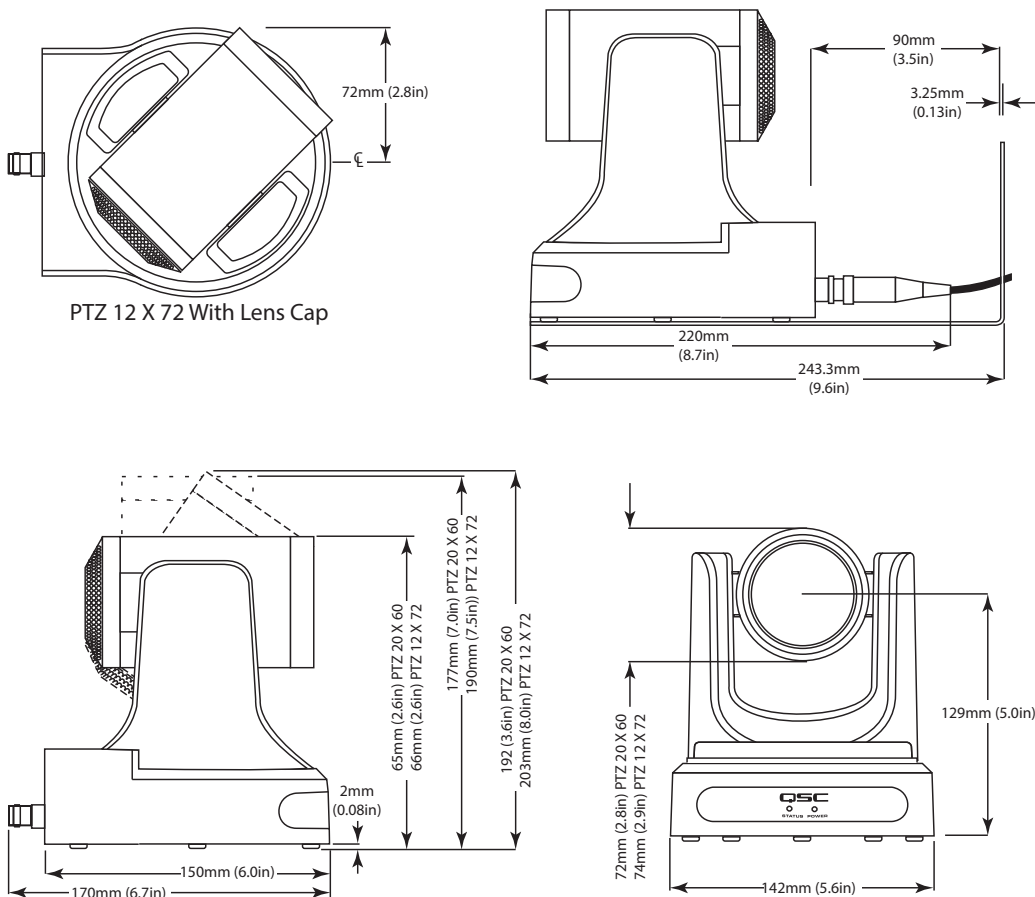


– Figure 4 –



– Figure 5 –

# Dimensions



## Specifications

	PTZ-12x72	PTZ-20x60
Image Sensor	1/2.7", Low Noise CMOS Image Sensor	
Lens characteristics (wide to tele)		
Optical zoom	12x, f=3.5mm to 42.3mm, F1.8 to F2.8	20x, f=4.42mm to 88.5mm, F1.8 to F2.8
Horizontal Field of View	72.5° to 6.9°	60.7 to 3.36°
Vertical Field of View	44.8° to 3.9°	34.1° to 1.89°
Minimal Illumination	0.5 lux at F1.8 (AGC On)	
Noise Reduction	2D and 3D	
S/N Ratio	≥ 55dB	
Pan / Tilt Angle and Speed	Pan: ±170° rotation, speed: 1.7° to 100°/sec, Tilt: -30° to +90° rotation, speed: 1.7° to 69.9°/s	
Ceiling Mountable	Image rotation for ceiling mounting set in Q-SYS Designer. Ceiling mount bracket accessory available.	
HD Video Outputs	HDMI v1.3 and 3G-SDI	
Ethernet	100BaseTX / 1000BaseT	
Video Resolutions		
HDMI / SDI:	1080p – 60/50/30/25   1080i – 60/50   720p – 60/50/30/25	
Network (30fps, 16:9):	1080p, 720p, 576p, 360p, 270p, 180p	
Input Voltage	DC 12V / PoE (802.3af) Class 3	
Current Consumption	1.0A (max)	
Operating Temperature	-10°C - 40°C (14°F - 104°F), Indoor use only	
Storage Temperature	-40°C - 60°C (-40°F - 140°F)	
Power Consumption	12W (max)	
Shipping Dimensions (H W D)	252mm x 235mm x 235mm (10in x 9.25in x 9.25in)	
Weight		
Shipping	2.5kg (5.6lb)	
Camera	1.4Kg (3.0lb)	



**Mailing Address:**

QSC, LLC  
1675 MacArthur Boulevard  
Costa Mesa, CA 92626-1468 U.S.  
Main Number: +1 (714) 754-6175  
World Wide Web: [www.qsc.com](http://www.qsc.com)

**Sales & Marketing:**

Voice: +1 (714) 957-7100 or toll free (U.S. only) (800) 854-4079  
FAX: +1 (714) 754-6174  
E-mail: [info@qsc.com](mailto:info@qsc.com)

**Q-SYS Customer Support**

**Application Engineering and Technical Services**

Monday - Friday 7 AM to 5 PM PST (Excludes Holidays)  
Tel. (800) 772-2834 (U.S. only)  
Tel. +1 (714) 957-7150

**Q-SYS 24/7 Emergency Support\***

Tel: (888) 252-4836 (U.S./Canada)  
Tel: +1 (949) 791-7722 (non U.S.)



\*Q-SYS 24/7 Support is for Emergency assistance with Q-SYS systems only. 24/7 support guarantees a call back within 30 minutes after a message is left. Please include, Name, Company, Call Back Number and description of the Q-SYS emergency for prompt call back. If calling during business hours please use the standard support numbers above.

**Q-SYS Support Email**

[qsysupport@qsc.com](mailto:qsysupport@qsc.com)  
(Immediate e-mail response times not guaranteed)

**QSC**

Technical Services  
1675 MacArthur Blvd.  
Costa Mesa, CA 92626 U.S.  
Tel: (800) 772-2834 (U.S. only)  
Tel: +1 (714) 957-7150  
FAX: +1 (714) 754-6173