

QSCControl.net™ Wall Control Plate Accessories

INSTALLATION GUIDE



▼ **WCP-1**

▼ **WCP-2**



TD-000215-00

Rev. B

QSCControl.net™ Wall Control Plate Accessories

I. INTRODUCTION

The WCP-1 and WCP-2 are wall control plate accessories for QSCControl.net network audio system components, such as Basis, RAVE, and DSP products. They allow an installer to create simple, non-computer user interfaces for these products in sound systems. As a result, end users don't need to learn the QSCControl.net software or anything technical about the system to adjust volume, select audio sources, choose presets or snapshots, or other control functions.

The WCP accessories connect to one or more of the unit's OmniPort inputs, which accept both analog control input via variable DC voltage or variable resistance and digital control input via TTL-type logic.

The WCP accessories provide two ways to connect to the QSCControl.net unit: an RJ-45 jack, for use with Cat 5 or Cat 6 network cable, or a screw terminal strip for use with individual wires.

terminal strip for use with individual wires. *Note: You must assign any functions to their respective OmniPort inputs in the QSCControl.net VenueManager application.*

Mounting

The WCP accessories mount in the type of plastic A/V wall box commonly used in North America. They fit any Decora™-style trim plate. The front panels have spaces for labeling functions, names, etc. Each accessory comes with a sheet of labels printed with commonly used terms.

If you mount a WCP accessory in a metal electrical box, you may have difficulty plugging a cable into the RJ-45 jack on the back of the accessory.

II. WCP-1 ROTARY POTENTIOMETER CONTROL

The control element of the WCP-1 is a 10 kΩ linear taper potentiometer with 11 detents marked 0 (fully counterclockwise) to 10 (clockwise). It connects to any OmniPort on the QSCControl.net unit and can be wired so that maximum resistance is at full clockwise *or* at full counterclockwise.

Figures 1–4 depict how to connect the WCP-1 to an OmniPort.

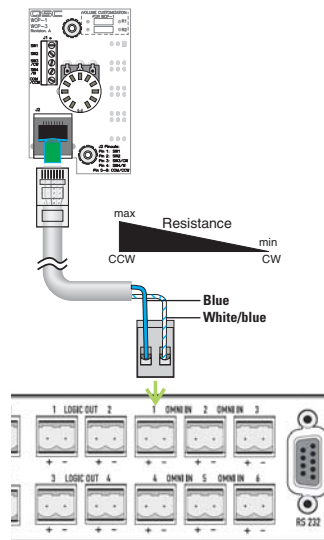


Figure 1. Connecting via network cable; full CCW = maximum resistance.

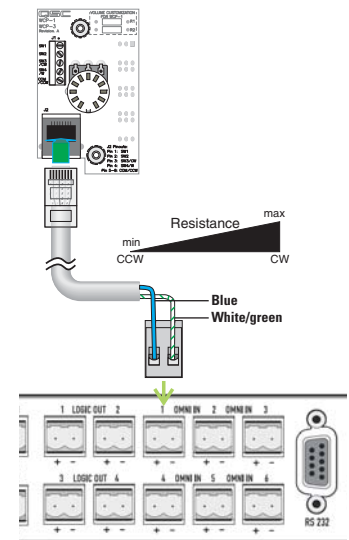


Figure 2. Connecting via network cable; full CW = maximum resistance.

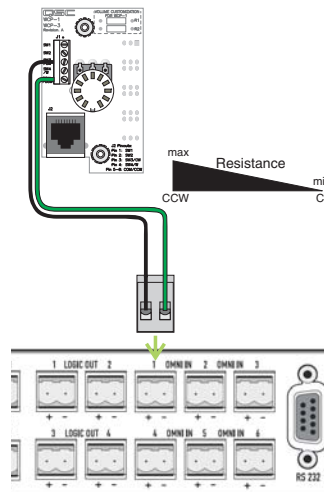


Figure 3. Connecting via wires; full CCW = maximum resistance.

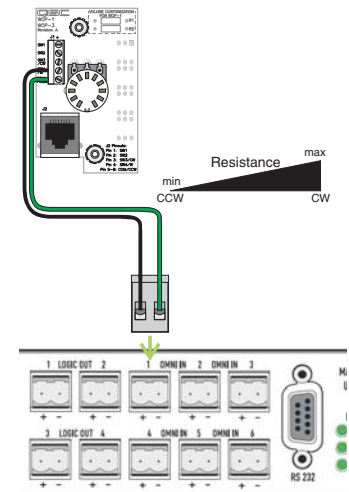


Figure 4. Connecting via wires; full CW = maximum resistance.

Non-QSControl.net applications

The WCP-1 can be used for non-QSControl.net analog applications, such as variable passive signal attenuation or a variable voltage divider (see Figure 5). The WCP-1 has two circuit board locations where you can mount resistors to adjust the full clockwise and/or counterclockwise values of the resistances and thereby change the range of attenuation or voltage variation from minimum to maximum. A resistor in position R1 will add that amount of resistance to the fully counterclockwise position, while a resistor at R2 will add resistance to the fully clockwise position.

To mount a resistor in R1 or R2, first cut the printed circuit board trace at the desired location (see Figure 6). Then insert the resistor and solder it into place, and trim any excess leads.

Connections

For typical control voltage and signal attenuation applications, the *CW* terminal would serve as the input; the *wiper* terminal, as the output; and the *CCW* terminal, as the common.

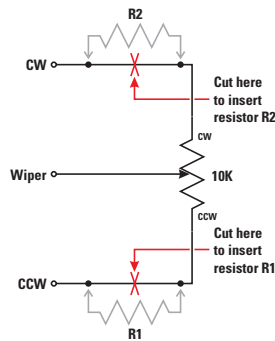


Figure 5. WCP-1 schematic

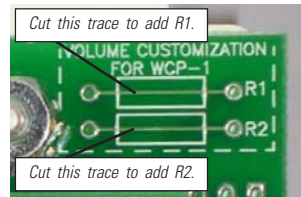


Figure 6. Location of R1 and R2.

III. WCP-2 ROTARY BCD SWITCH CONTROL

The WCP-2 uses a six-position binary-coded decimal rotary switch. It connects to two (up to four usable positions) or three (up to six usable positions) OmniPorts on the QSControl.net unit. The OmniPorts must be configured for binary use in the VenueManager application. It is ideal for such functions as selecting signal sources, selecting presets, and routing signals. The truth table is at right. For reliability of interfacing with the OmniPorts, there is no "0" position where all outputs are open.

Figures 7 and 8 depict the connection of a WCP-2 to an OmniPort.

Position ▼	Out 1	Out 2	Out 3	Out 4
1	Closed	Open	Open	Open
2	Open	Closed	Open	Open
3	Closed	Closed	Open	Open
4	Open	Open	Closed	Open
5	Closed	Open	Closed	Open
6	Open	Closed	Closed	Open

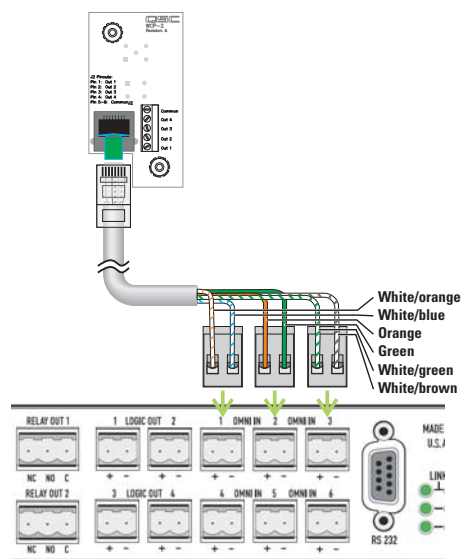


Figure 7. Connecting via network cable.

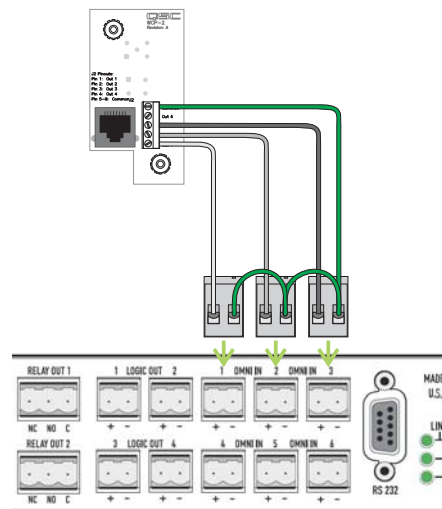


Figure 8. Connecting via wires.

V. WARRANTY AND DISCLAIMERS

QSC Audio Products, Inc. is not liable for any damage to speakers, amplifiers, or any other equipment that is caused by negligence or improper installation and/or use of the WCP wall control plate accessories.

PRODUCT WARRANTY

QSC Audio Products, Inc. ("QSC") guarantees its products to be free from defective material and / or workmanship for a period of three (3) years from date of sale, and will replace defective parts and repair malfunctioning products under this warranty when the defect occurs under normal installation and use - provided the unit is returned to our factory or one of our authorized service stations via pre-paid transportation with a copy of proof of purchase (i.e., sales receipt). This warranty provides that the examination of the return product must indicate, in our judgment, a manufacturing defect. This warranty does not extend to any product which has been subjected to misuse, neglect, accident, improper installation, or where the date code has been removed or defaced. QSC shall not be liable for incidental and/or consequential damages. This warranty gives you specific legal rights. This limited warranty is freely transferable during the term of the warranty period.

The customer may have additional rights, which vary from state to state.

In the event that this product was manufactured for export and sale outside of the United States or its territories, then this limited warranty shall not apply. Removal of the serial number on this product, or purchase of this product from an unauthorized dealer, will void this limited warranty.

Contact us at 1-800-772-2834 (in the USA only) or +1 (714) 957-7150, or visit our Web site at www.qscaudio.com.

TECHNICAL ASSISTANCE

If you suspect that your WCP accessory is defective, check your system configuration and connections to determine the origin of the problem. In many cases, incorrect audio interfacing, poor cabling, or other system level impairments are the causes of problems in audio systems. For technical assistance beyond the information given in this manual, contact the QSC Technical Services department.

FACTORY SERVICE

If your WCP accessory ever requires factory service, contact the QSC Technical Services department for return instructions and a Return Material Authorization (RMA) number. QSC is not responsible for products returned without an RMA.

PRODUCT RETURN GUIDELINES

1. Pack the product securely for protection during shipment. QSC will provide factory packaging free of charge, on request.
2. Include a copy of the sales receipt, your name, return address, phone number, and a description of the problem.
3. Call QSC Technical Services department for a Return Authorization number.
4. Write the Return Authorization number on the outside of the shipping package.
5. Ship the product prepaid to QSC Audio Products.

QSC Technical Services

1665 MacArthur Blvd.
Costa Mesa, CA 92626 USA

Telephone: (800) QSC AUDIO [(800) 772-2834]
+1 (714) 957-7150
+1 (714) 754-6175

Fax: +1 (714) 754-6173

Web: www.qscaudio.com

QUALIFIED SERVICE CENTERS

QSC maintains a service center network for your convenience. If you choose to return your product to a local service center and need a referral, contact QSC Technical Services department. Accessories, input modules, and other peripheral QSC products must be returned to the factory for service.

INTERNATIONAL SERVICING

For QSC products purchased outside the United States, refer service to the distributor or dealer from which the product was purchased. There are numerous service centers in many countries. Your dealer, distributor, or QSC Technical Services can refer you to a service center in your country.



QSC Audio Products, Inc., 1675 MacArthur Boulevard Costa Mesa, California 92626 USA PH: +1 (714) 754-6175 FAX: +1 (714) 754-6174

QSCControl2 is a trademark of QSC Audio Products, Inc. "QSC" and the QSC logo are registered with the U.S. Patent and Trademark Office.