
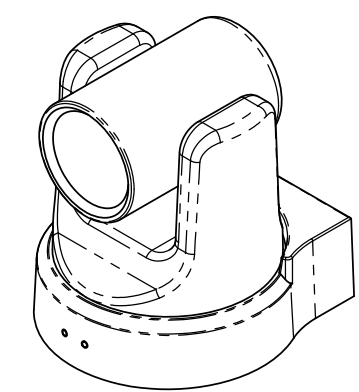
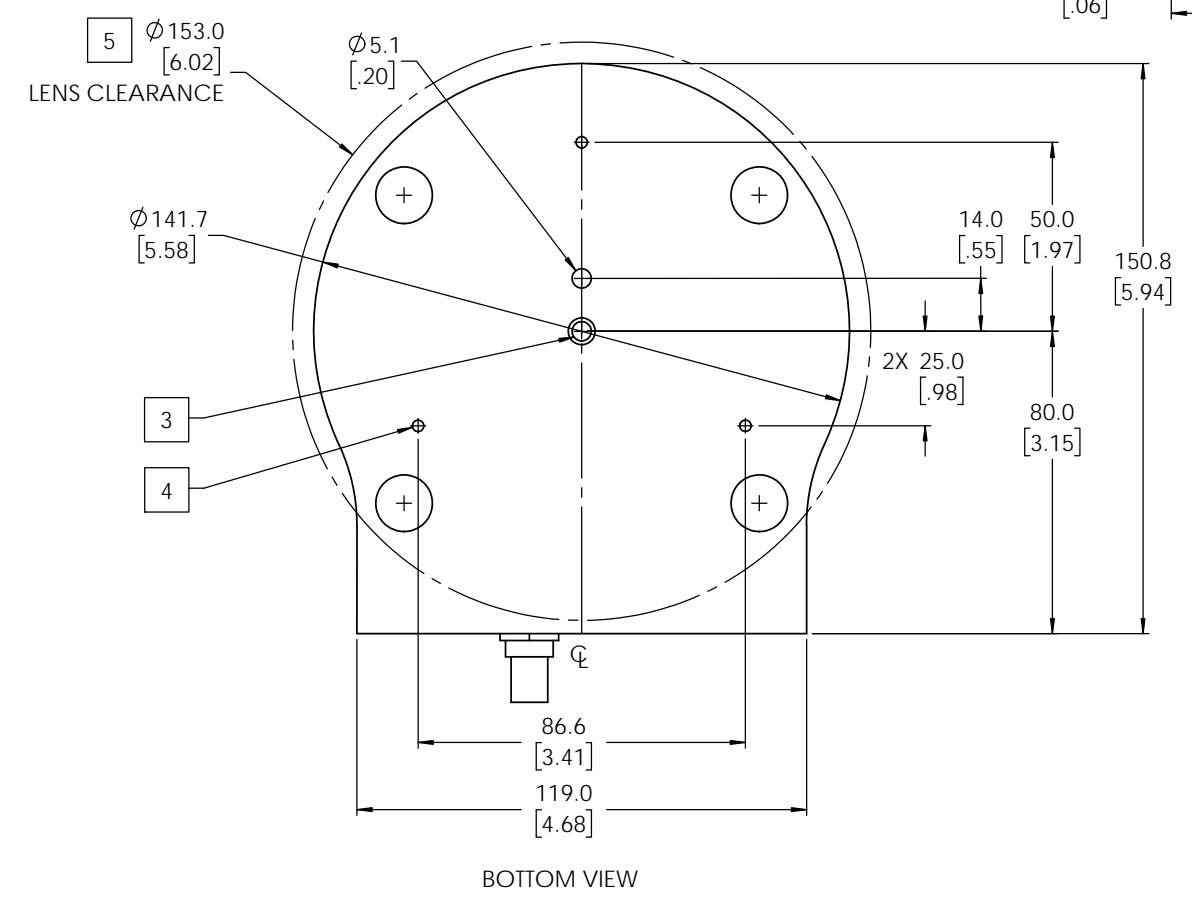
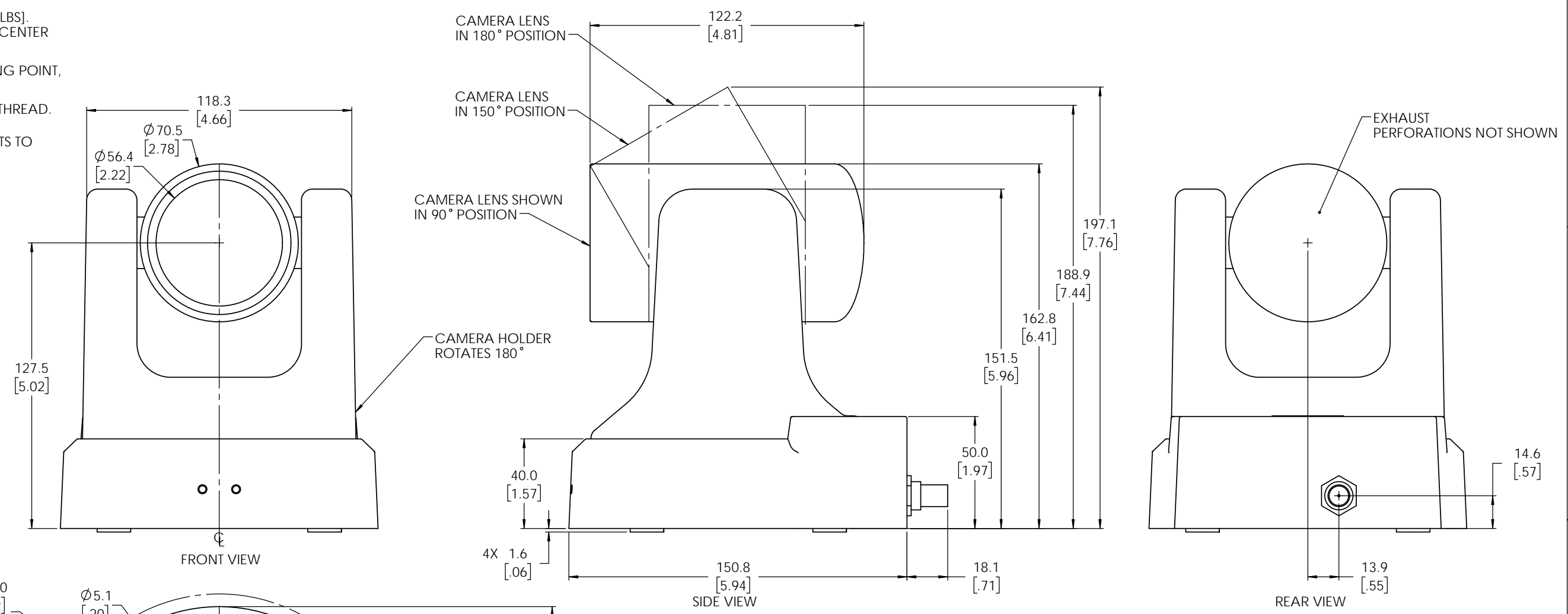



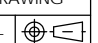
THIS DOCUMENT CONTAINS CONFIDENTIAL OR PROPRIETARY INFORMATION WHICH IS THE PROPERTY OF QSC, LLC THAT MAY NOT BE DISCLOSED, REPRODUCED OR USED WITHOUT EXPRESS WRITTEN CONSENT FROM QSC, LLC. NO PORTION OF THIS DOCUMENT MAY BE REPRODUCED, REDISTRIBUTED, OR OTHERWISE DISCLOSED TO ANY THIRD PARTY WITHOUT QSC'S WRITTEN PERMISSION.

REVISIONS			
REV	DESCRIPTION	BY	DATE
A	INITIAL RELEASE	SS	25-JUN-21

- NOTES: UNLESS OTHERWISE SPECIFIED
- NET WEIGHT APPROX. 2.4 KG [5.3 LBS].
  - PARTS ARE SYMMETRICAL ABOUT CENTER LINES UNLESS OTHERWISE NOTED.
- 3 SYMBOL  INDICATES MOUNTING POINT, 1/4-20 THREAD.
- 4 BRACKET MOUNTING, 3X M3X0.5 THREAD.
- 5 MINIMUM SPACING BETWEEN UNITS TO ALLOW FULL LENS ROTATION.



SCALE: 1:4

UNLESS OTHERWISE SPECIFIED DIMENSIONS ARE IN MM [IN] TOLERANCES ARE:		CAD GENERATED DRAWING DO NOT MANUALLY UPDATE		 <b>QSC, LLC</b> 1675 MACARTHUR BOULEVARD COSTA MESA, CA 92626 USA
DECIMALS X ± 3 [.12] XX ± N/A	ANGLES ± 1°	APPROVALS		
MATERIAL SEE NOTES		DRAWN BY S. STASIAK MECH ENGINEER		<b>VIDEO, NC-20X60, FINISHED</b>
FINISH SEE NOTES		T.GOSSARD TECH DIRECTOR		
DO NOT SCALE DRAWING		R. PRING MFG ENGINEER		SIZE B
PROJECTION SYMBOL 		T. MORGAN		CAGE CODE 00PW4
				DWG. NO. FG-901514-2D
				REV A
				SCALE: 1:2 CAD FILE: FG-901514-2D SHEET: 1 OF 1