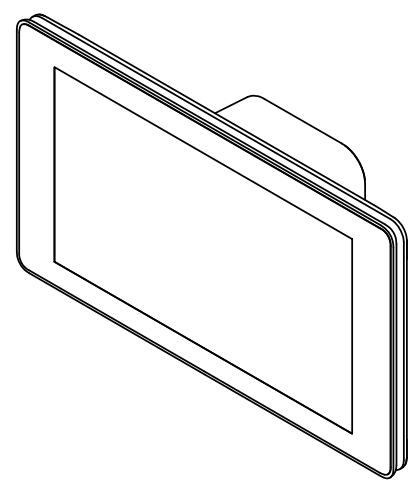
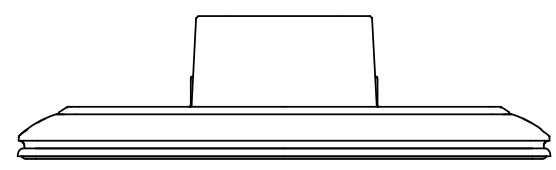


THIS DOCUMENT CONTAINS CONFIDENTIAL OR PROPRIETARY INFORMATION WHICH IS THE PROPERTY OF QSC, LLC THAT MAY NOT BE DISCLOSED, REPRODUCED OR USED WITHOUT EXPRESS WRITTEN CONSENT FROM QSC, LLC. NO PORTION OF THIS DOCUMENT MAY BE REPRODUCED, REDISTRIBUTED, OR OTHERWISE DISCLOSED TO ANY THIRD PARTY WITHOUT QSC'S WRITTEN PERMISSION.

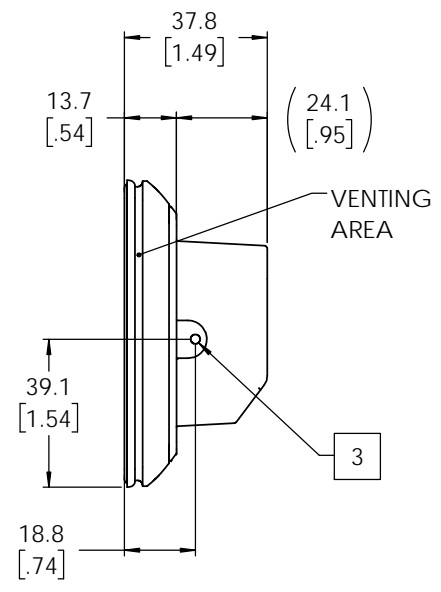
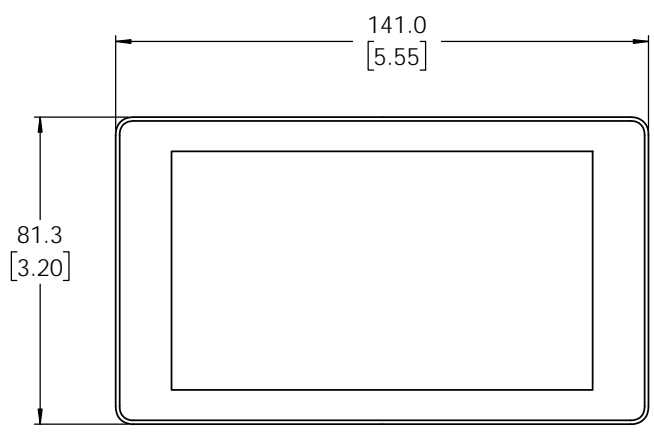
REVISIONS			
REV	DESCRIPTION	BY	DATE
A	INITIAL RELEASE	TG	04-NOV-2021

NOTES: UNLESS OTHERWISE SPECIFIED

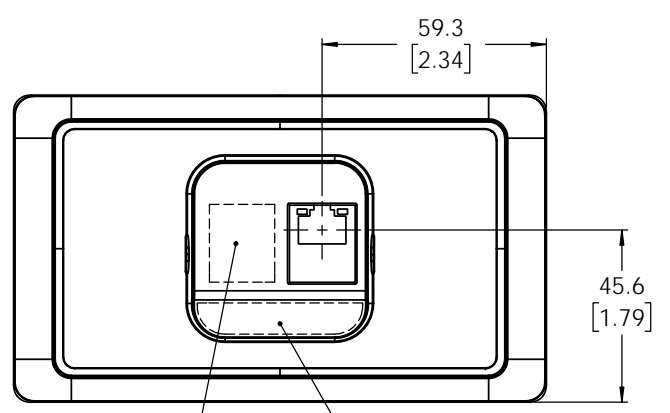
- NET WEIGHT
UNIT: 0.23 KG [0.5 LBS]
BRACKET: 0.06 KG [0.1 LBS]
- PARTS ARE SYMMETRICAL ABOUT CENTER LINES UNLESS OTHERWISE NOTED.
- M2.5 SECURITY SCREW LOCATION WHEN USED WITH MOUNTING BRACKET.



FRONT ISOMETRIC VIEW



TYPICAL VIEW BOTH SIDES



MAGNETIC DOCKING AREA VENTING AREA

TOUCHSCREEN CONTROLLER

UNLESS OTHERWISE SPECIFIED DIMENSIONS ARE IN MM [IN] TOLERANCES ARE:	
DECIMALS X ± 3.0 (.12) XX ±	ANGLES ±1°
MATERIAL SEE NOTES	FINISH SEE NOTES
DO NOT SCALE DRAWING	
PROJECTION SYMBOL	

CAD GENERATED DRAWING DO NOT MANUALLY UPDATE	
APPROVALS	
DRAWN BY T.GOSSARD MECH ENGINEER	T.GOSSARD TECH DIRECTOR
D.HOCH MFG ENGINEER	T.MORGAN

QSC QSC, LLC
1675 MACARTHUR BOULEVARD
COSTA MESA, CA 92626 USA

CONTROL, TSC-50-G3, 5 INCH TOUCHSCREEN

SIZE B	CAGE CODE 00PW4	DWG. NO. FG-901371-2D	REV A
SCALE: 1:2		CAD FILE: FG-901371-2D	SHEET: 1 OF 2