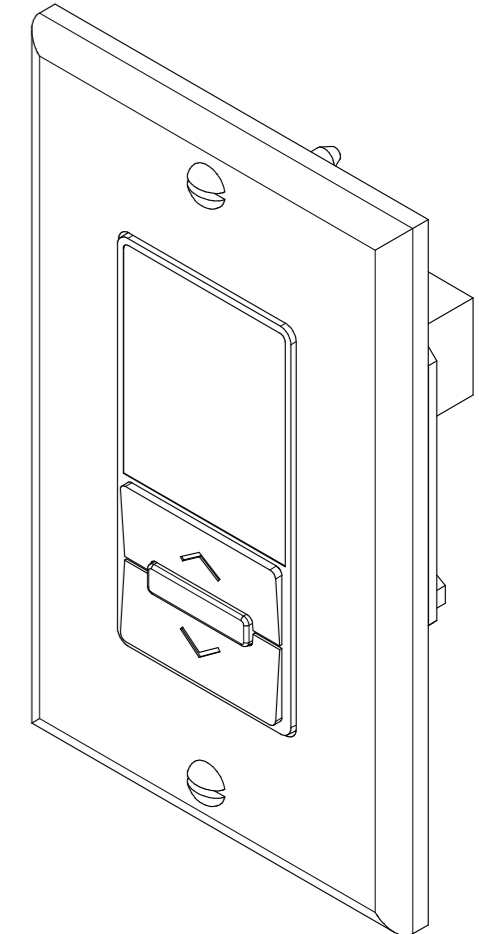
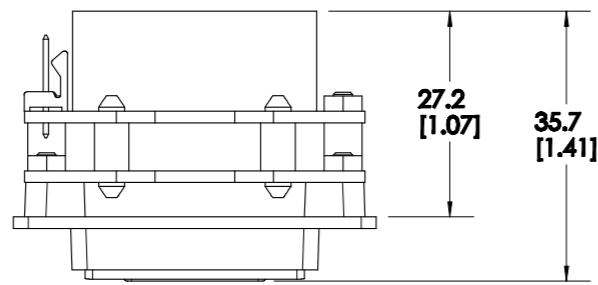
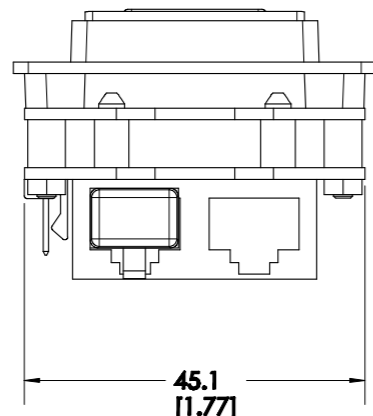
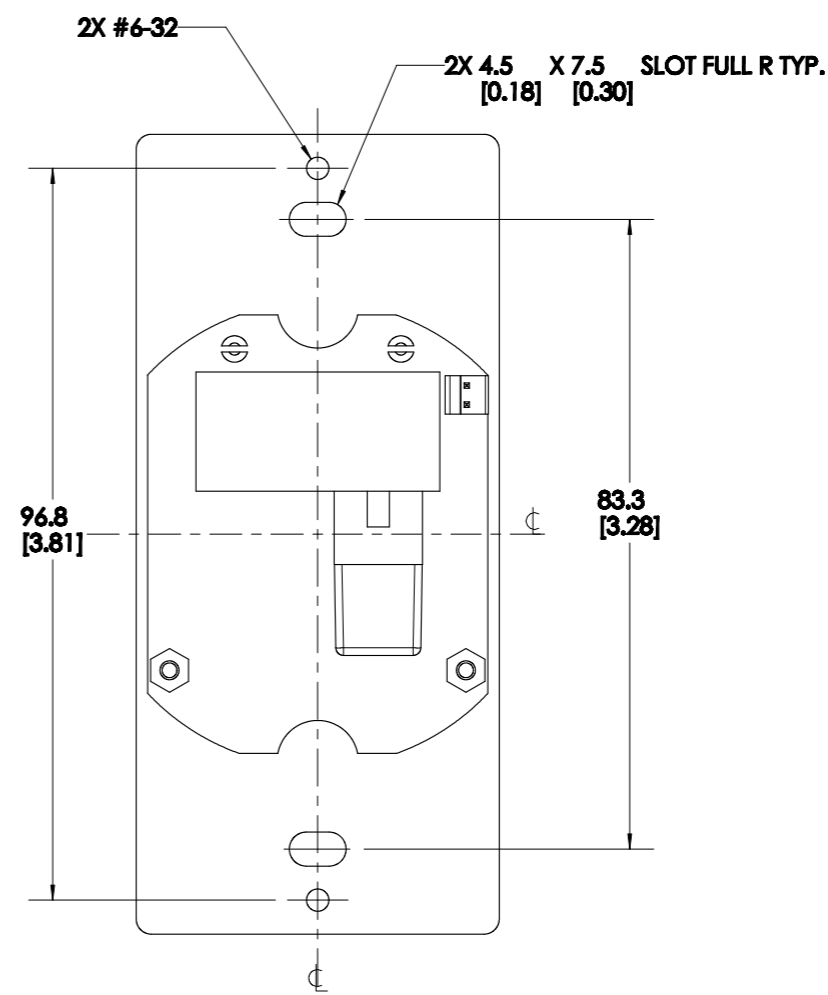
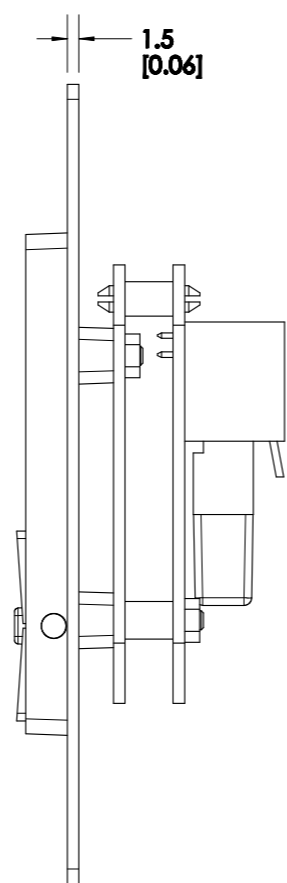
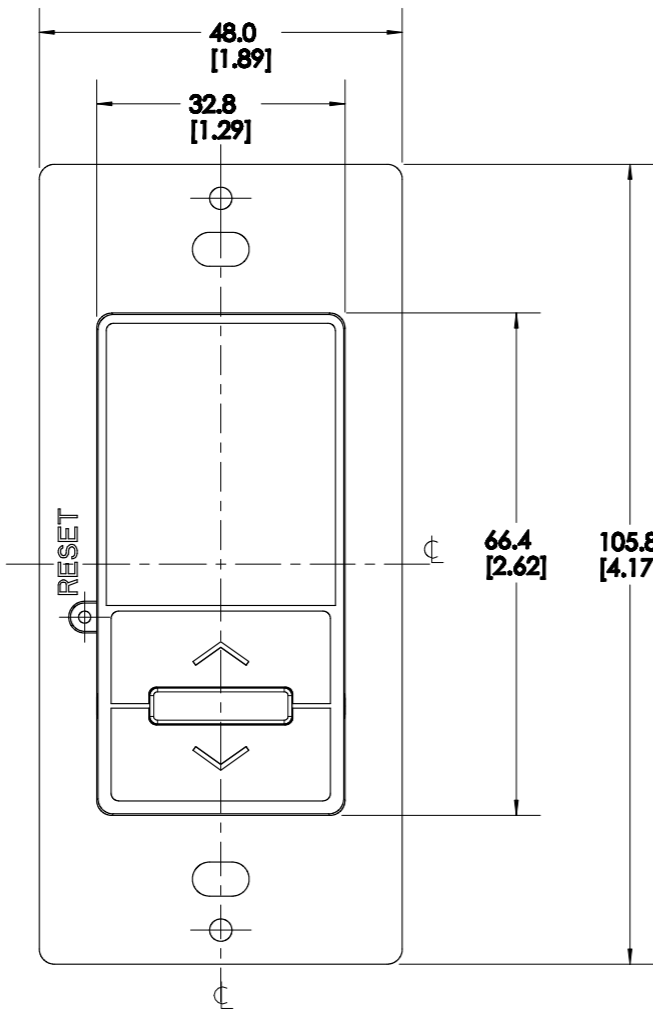
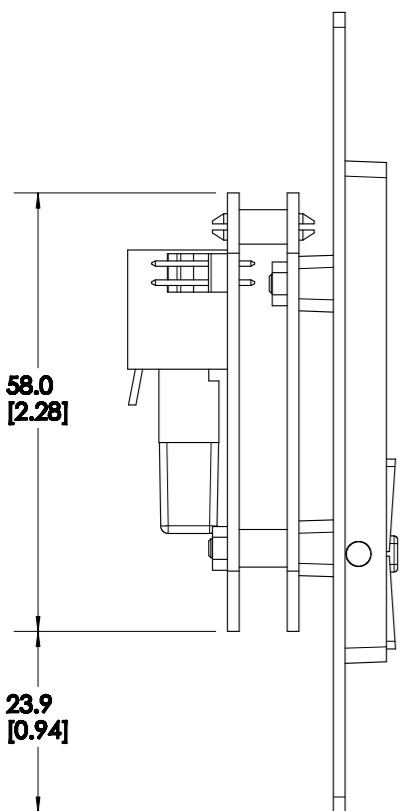


3		2		1	
REV	DESCRIPTION	BY	DATE		
A	INITIAL RELEASE	ES	18-APR-18		



SHOWN WITH WALL PLATE



UNLESS OTHERWISE SPECIFIED DIMENSIONS ARE IN MM [IN] TOLERANCES ARE: DECIMALS ANGLES X ± 3 [.12] ± 1°		CAD GENERATED DRAWING DO NOT MANUALLY UPDATE		QSC, LLC 1675 MACARTHUR BOULEVARD COSTA MESA, CA 92626 USA	
MATERIAL N/A		APPROVALS		MIXER, MP-MFC-NA, MUSIC & PAGING, NORTH AMERICA	
FINISH N/A		DRAWN BY B. SHASTRI			
DO NOT SCALE DRAWING		MECH ENGINEER D. SIMPSON			
PROJECTION SYMBOL		TECH DIRECTOR S. NENADIC		SIZE CAGE CODE DWG. NO. REV B 00PW4 FG-901150-NA-2D A	
		MFG ENG C. YOMOGIDA		SCALE 1:1 CAD FILE: FG-901150-NA-2D.A.2 SHEET: 1 OF 1	

1. NET WEIGHT APPROX. 0.09 KG [0.2 LBS]
NOTES: UNLESS OTHERWISE SPECIFIED.