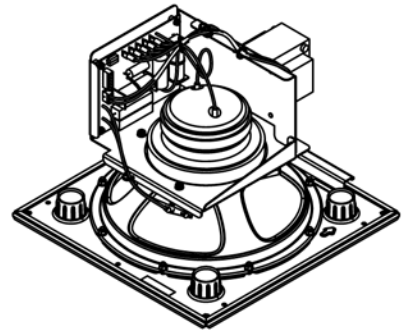
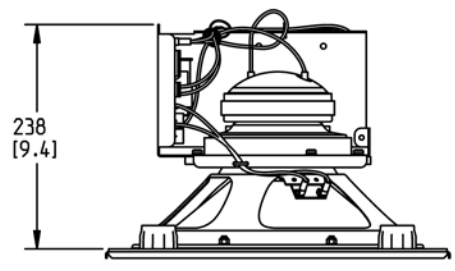
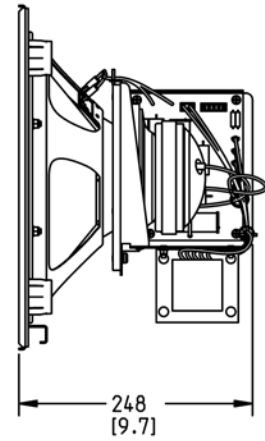
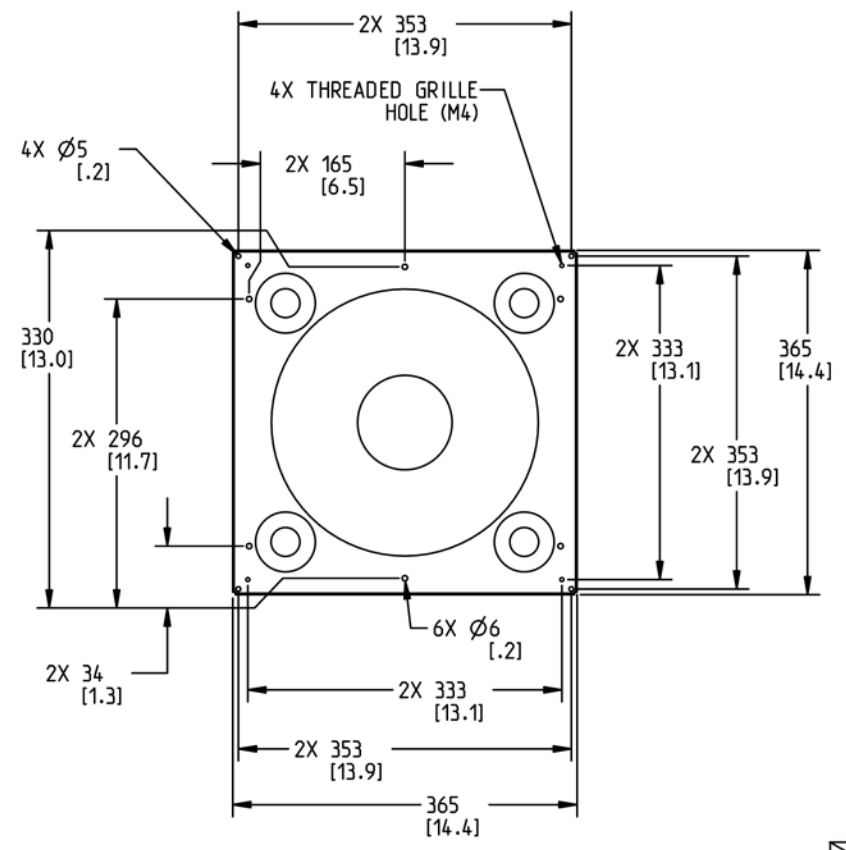


THIS DOCUMENT CONTAINS PROPRIETARY INFORMATION AND IS THE PROPERTY OF QSC AUDIO PRODUCTS, LLC. IT IS TO BE USED ONLY FOR THE PURPOSES SPECIFIED IN THIS DRAWING. IT IS NOT TO BE REPRODUCED, COPIED, OR TRANSMITTED IN ANY MANNER WITHOUT THE WRITTEN PERMISSION OF QSC AUDIO PRODUCTS, LLC.

REVISIONS				
REV	DESCRIPTION	EFF DATE	CHK	APVD
A	PROD RLSE W/O CHANGE	05-APR-10	MH	JO



SCALE 0.200



2. TOLERANCES (MM): X.XX ± 1.00, ANGLES: ± 1°.
 1. NET WEIGHT APPROX. 11.1 KG (24.5 LBS).
 NOTE: UNLESS OTHERWISE SPECIFIED

UNLESS OTHERWISE SPECIFIED DIMENSIONS ARE IN INCHES. TOLERANCES ARE: DECIMALS DECIMALS ANGLES .XX ± .02 .XXX ± .010 ± 1/2 DEBURR EDGES .010 R MAX MATERIAL FINISH DO NOT SCALE DRAWING	CONTRACT NO.		QSC AUDIO PRODUCTS, LLC 1675 MACARTHUR BOULEVARD COSTA MESA, CA 92626		
	APPROVALS	DATE			
	DRAWN D. SIMPSON	02-APR-10	SPEAKER ASSEMBLY, BAFFLE, AD-C1200		
	CHECKED J. O'CONNOR	02-APR-10			
MFG ENG	-	SIZE	CAGE CODE	DWG NO.	REV
ISSUED	-	C	00PW4	FG-001270-2D	A
WP-001270-00.A.1		SCALE	0.250	FG-001270-2D.A.2	SHEET 1 of 1