
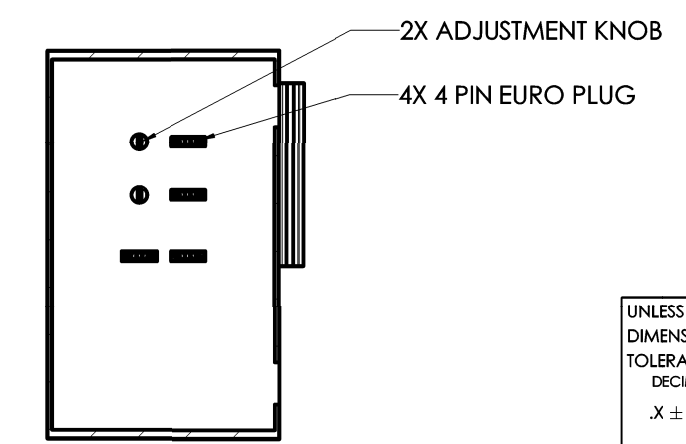
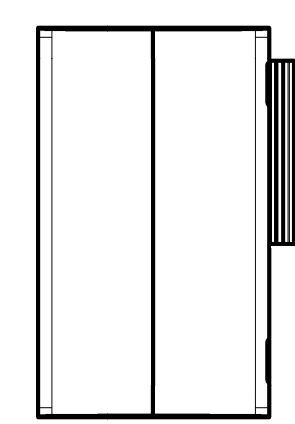
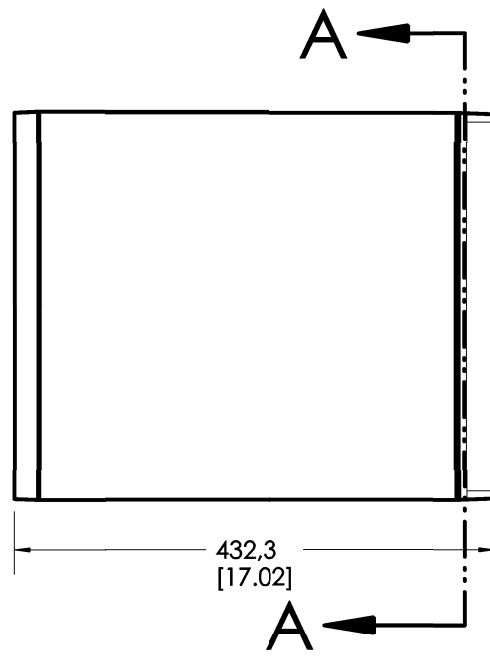
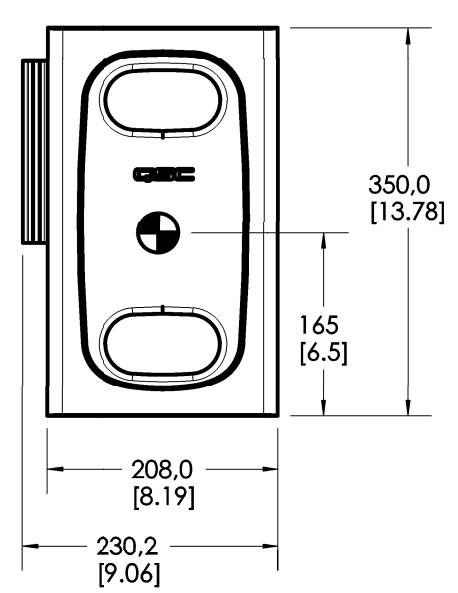
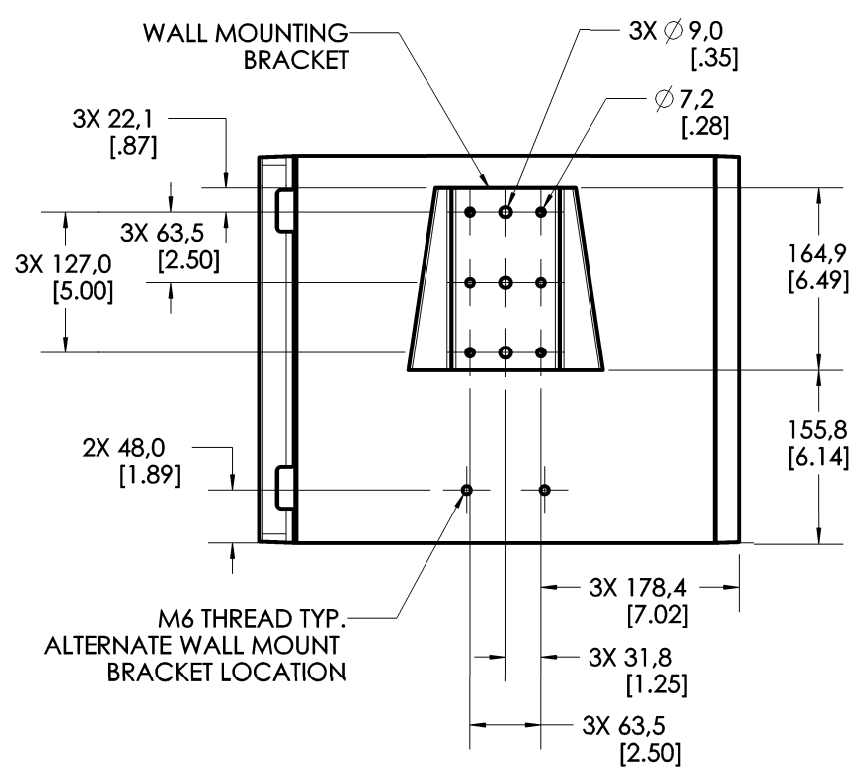
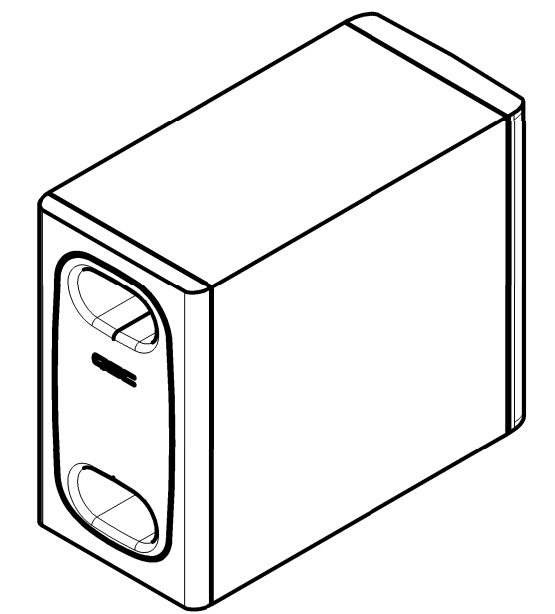
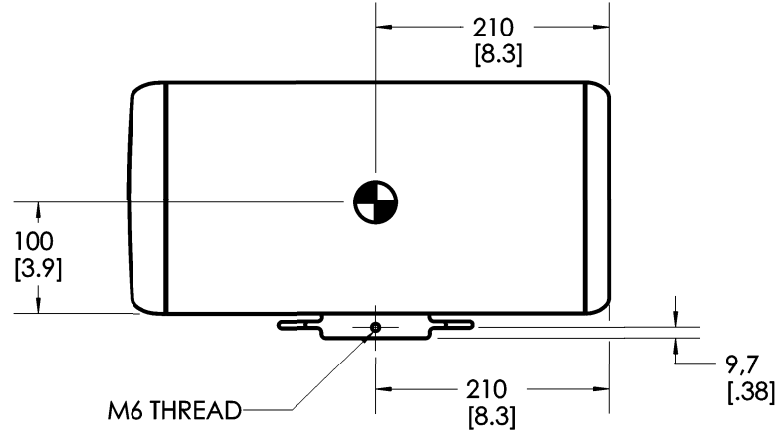


THIS DOCUMENT CONTAINS PROPRIETARY INFORMATION WHICH IS THE PROPERTY OF QSC, LLC. THAT MAY NOT BE DISCLOSED, REPRODUCED OR USED WITHOUT THE EXPRESS WRITTEN CONSENT FROM QSC, LLC.

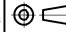
REVISION		BY	DATE
REV	DESCRIPTION	SS	15-OCT-18
A	INITIAL RELEASE		

- NOTE: UNLESS OTHERWISE SPECIFIED  
 1. NET WEIGHT APPROX. 27.80 LBS (12.60 KG)  
 2. TOLERANCES (MM[IN]): X +/- 3[.12], ANGLES +/- 1 DEGREES.  
 3. SYMBOL  INDICATES CENTER OF BALANCE.



SECTION A-A  
 REAR COVER REMOVED

UNLESS OTHERWISE SPECIFIED  
 DIMENSIONS ARE IN MM [IN]  
 TOLERANCES ARE:  
 DECIMALS ANGLES  
 .X ± 3 [.12] ± 1°

MATERIAL	N/A
FINISH	N/A
DO NOT SCALE DRAWING	
PROJECTION SYMBOL	

CAD GENERATED DRAWING DO NOT MANUALLY UPDATE	
APPROVALS	
DRAWN BY	S. STASIAK
MECH ENGINEER	B. HAWKINS
TECH DIRECTOR	J. HALEY
MFG ENGINEER	M. JEN

**QSC** QSC, LLC  
 1675 MACARTHUR BOULEVARD  
 COSTA MESA, CA 92626 USA

**FINISHED GOOD,  
 LOUDSPEAKER, AD-S.SUB,  
 6.5" SURFACE**

SIZE	CAGE CODE	DWG. NO.	REV
B	00PW4	FG-901254-2D	A
SCALE: 1:7	CAD FILE: FG-901254-2D.A.10	SHEET: 1 OF 1	