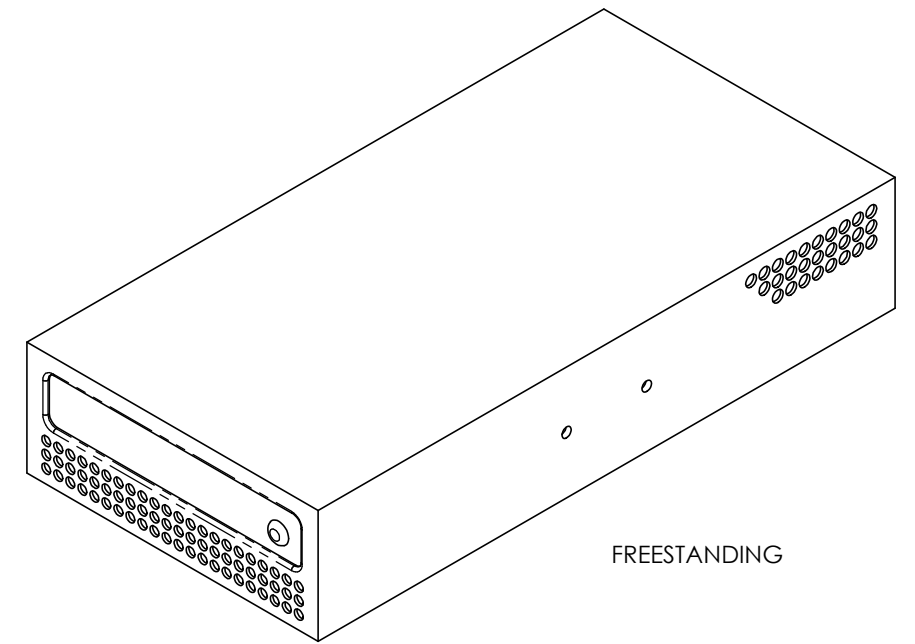
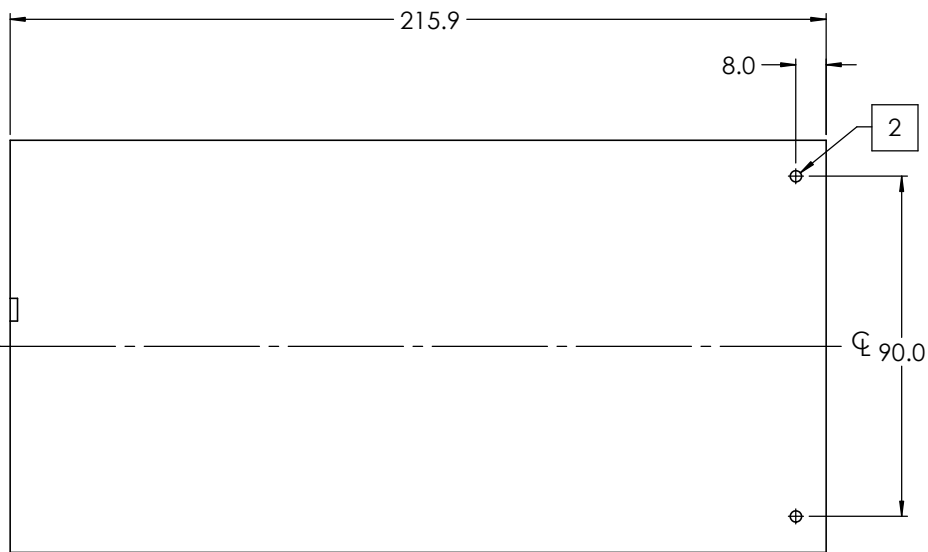
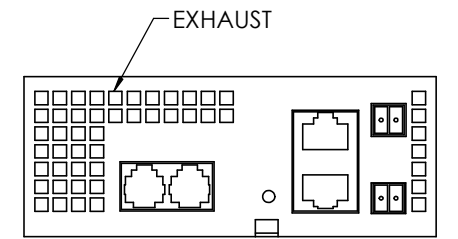
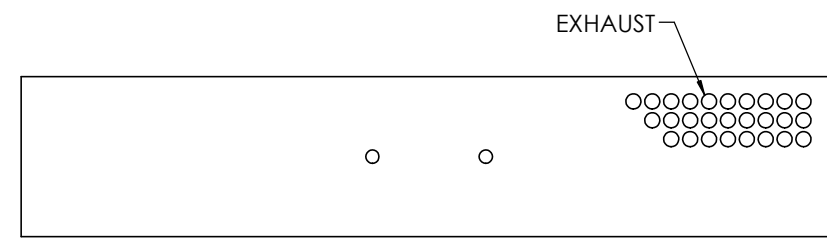
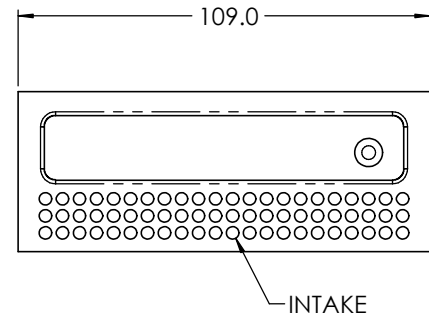
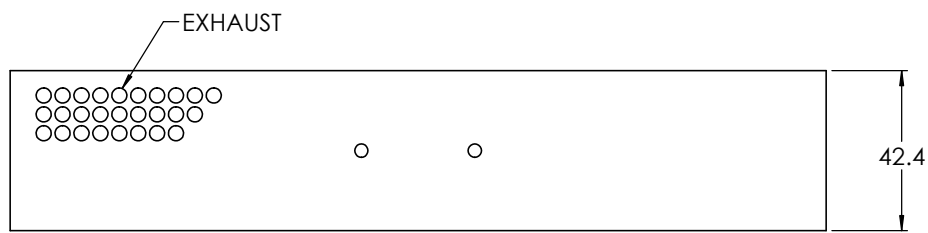
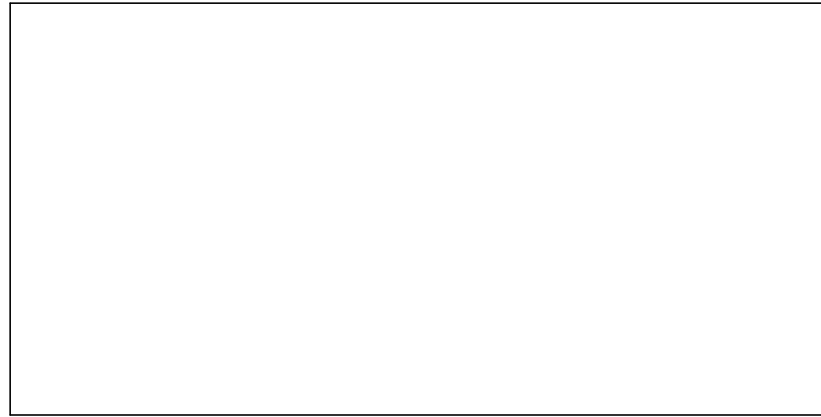
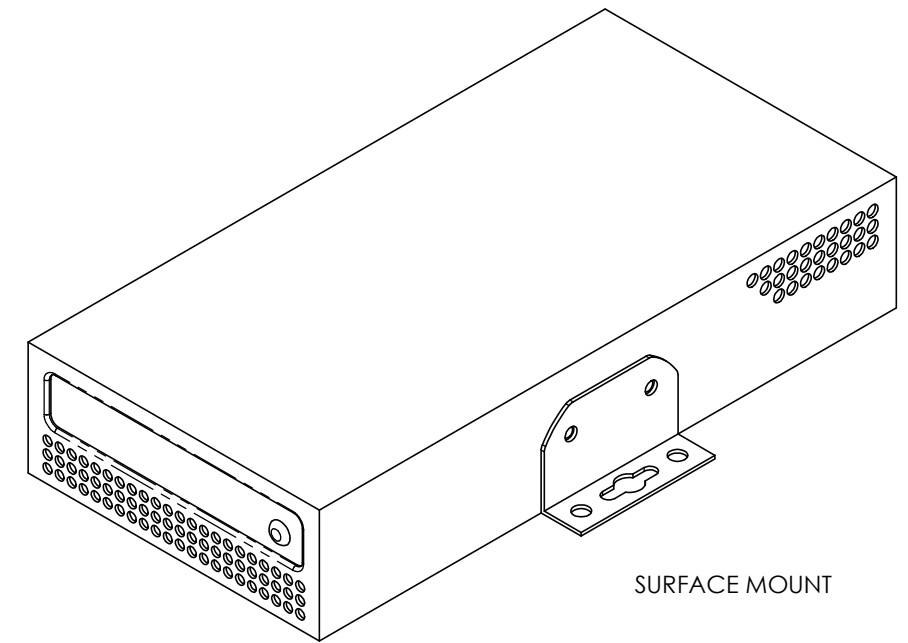
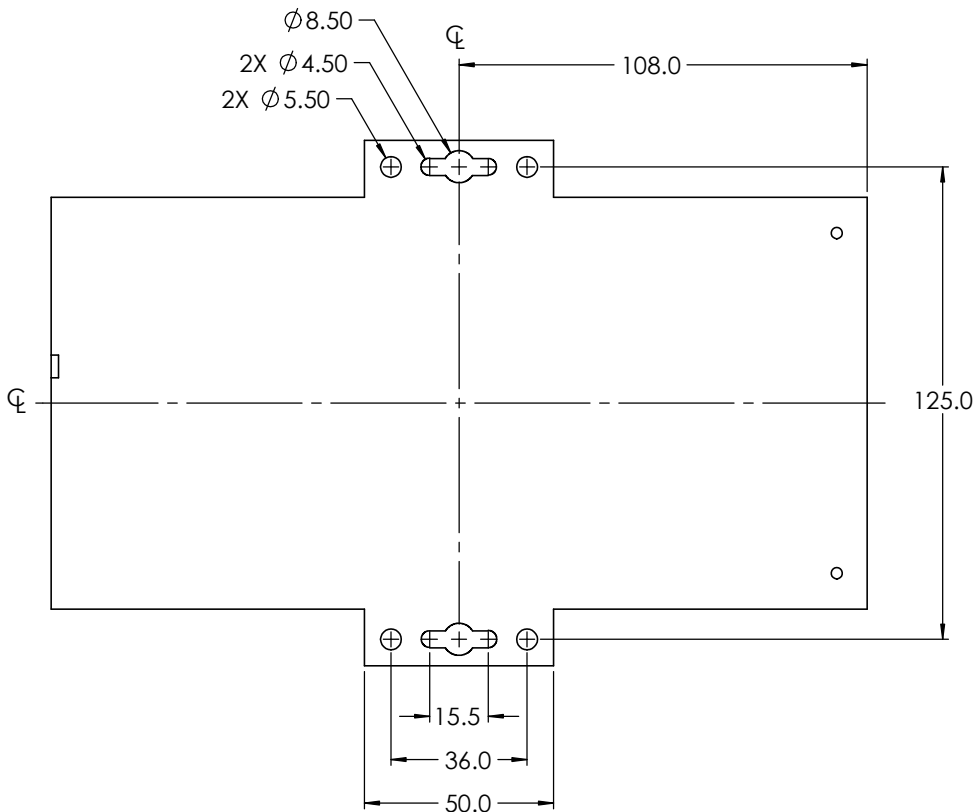
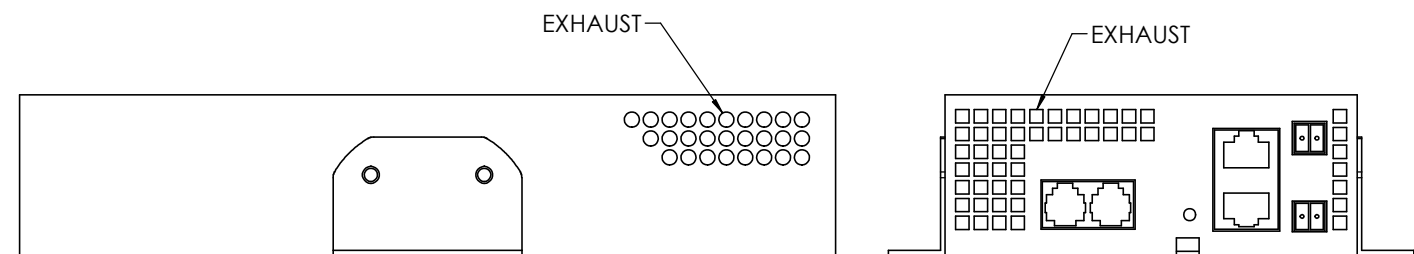
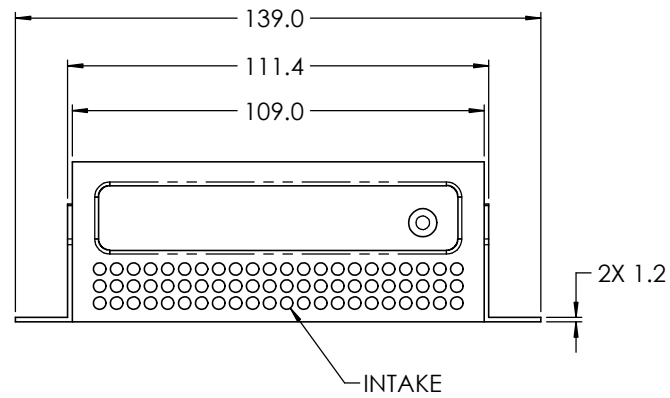
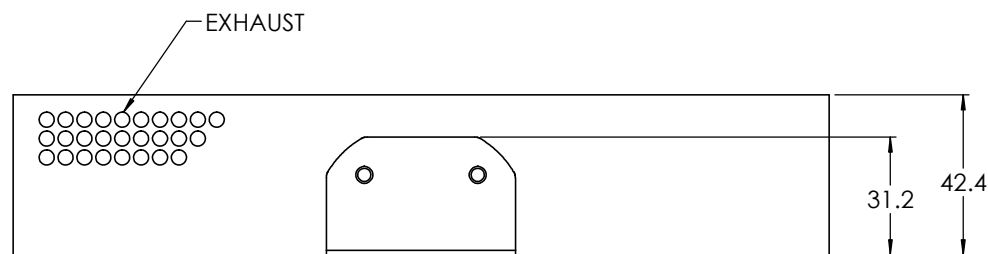
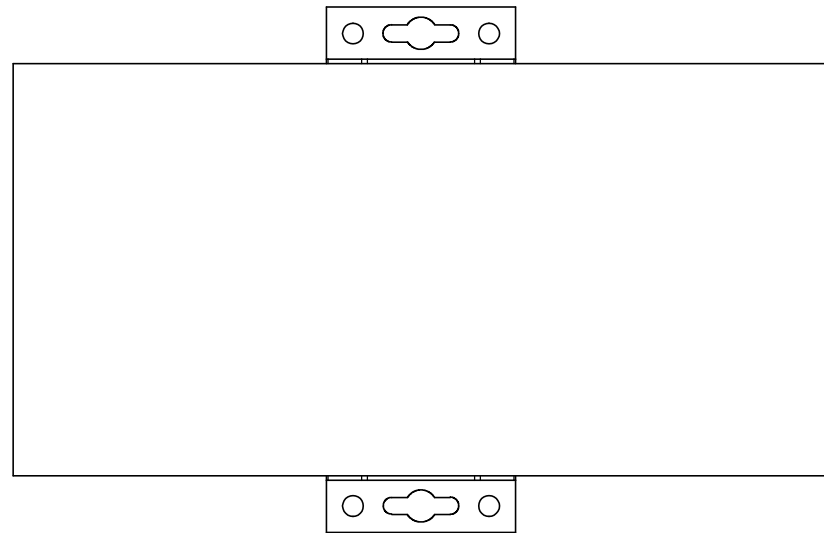


NOTES: UNLESS OTHERWISE SPECIFIED

1. NET WEIGHT WITH HARDWARE SHOWN APPROXIMATELY 0.78KG. [1.7 LBS].
2. M3x0.5 MOUNTING HOLES FOR OPTIONAL MOUNTING TRAY ACCESSORY.
3. PARTS ARE SYMMETRICAL ABOUT CENTER LINES UNLESS OTHERWISE NOTED.





SURFACE MOUNT