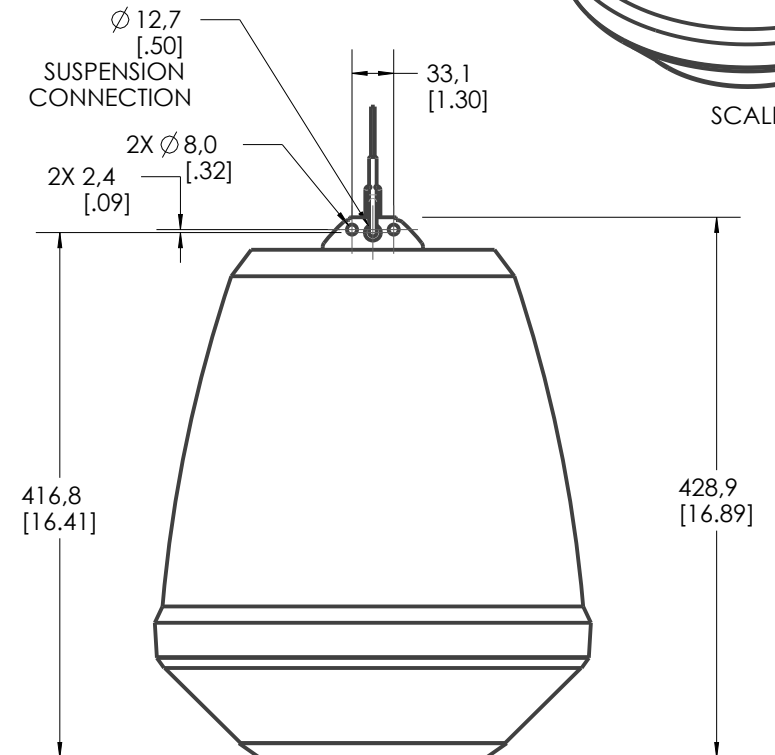
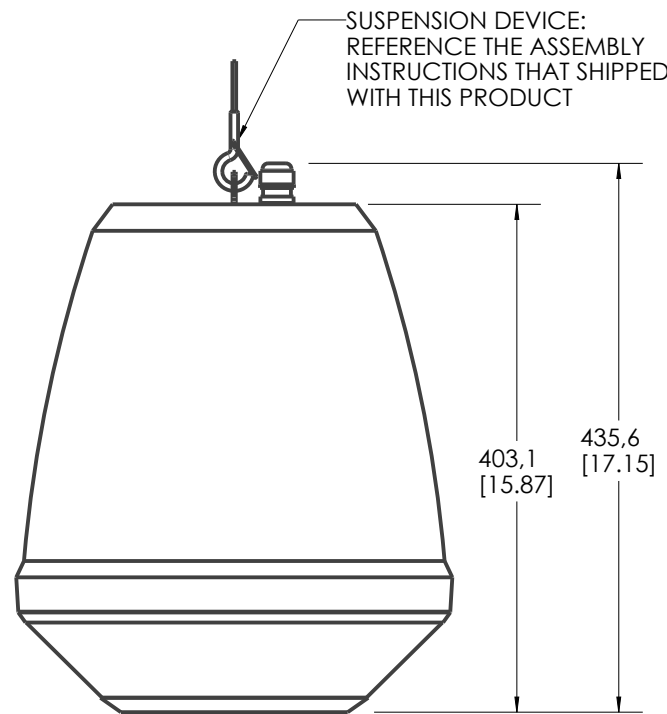
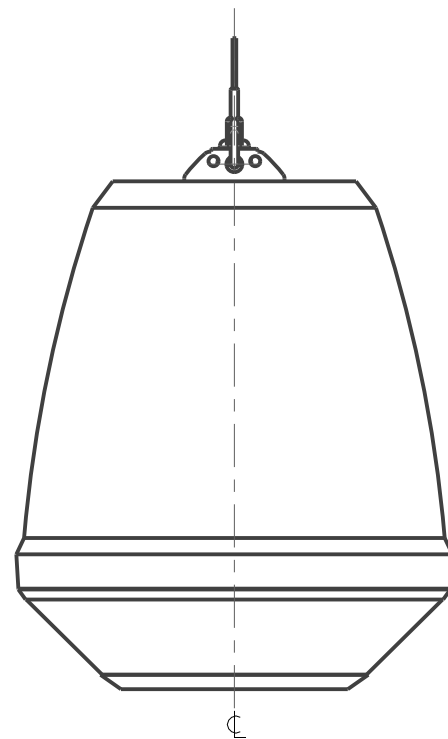
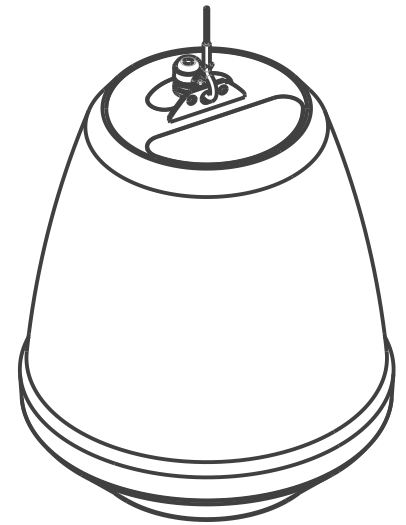
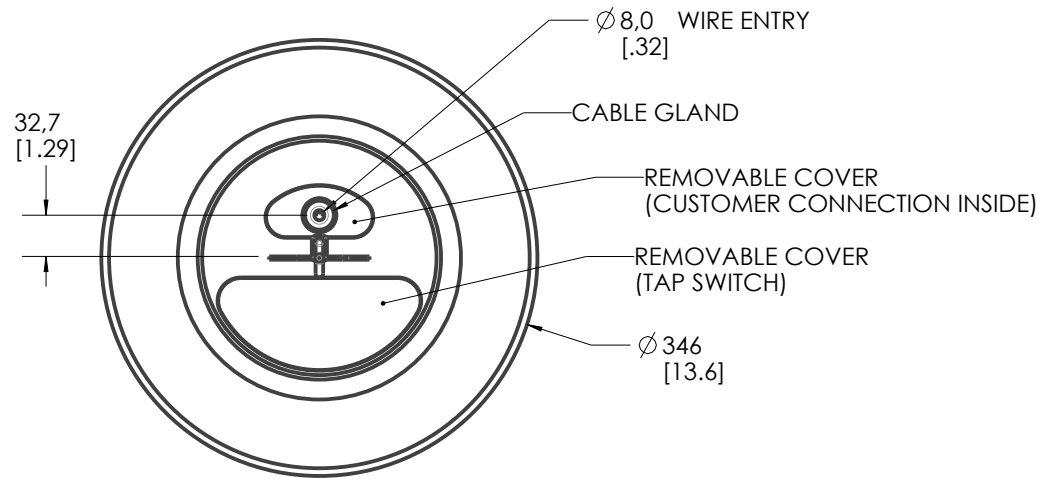


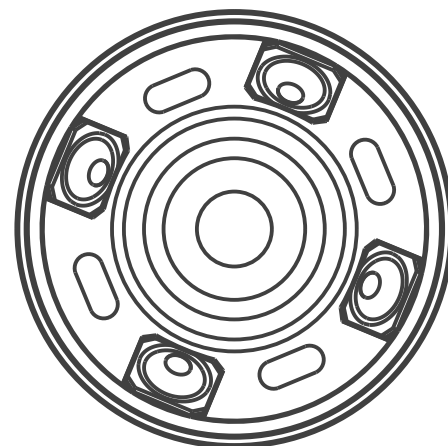
THIS DOCUMENT CONTAINS PROPRIETARY INFORMATION WHICH IS THE PROPERTY OF QSC, LLC. THAT MAY NOT BE DISCLOSED, REPRODUCED OR USED WITHOUT THE EXPRESS WRITTEN CONSENT FROM QSC, LLC.

NOTE: UNLESS OTHERWISE SPECIFIED
 1. NET WEIGHT APPROX. 23 LBS (10.4 KG)
 2. TOLERANCES (MM[IN]): X +/-3 [.12]. ANGLES +/- 1 DEGREE.
 3. PARTS ARE SYMMETRICAL ABOUT CENTER LINES UNLESS OTHERWISE NOTED.

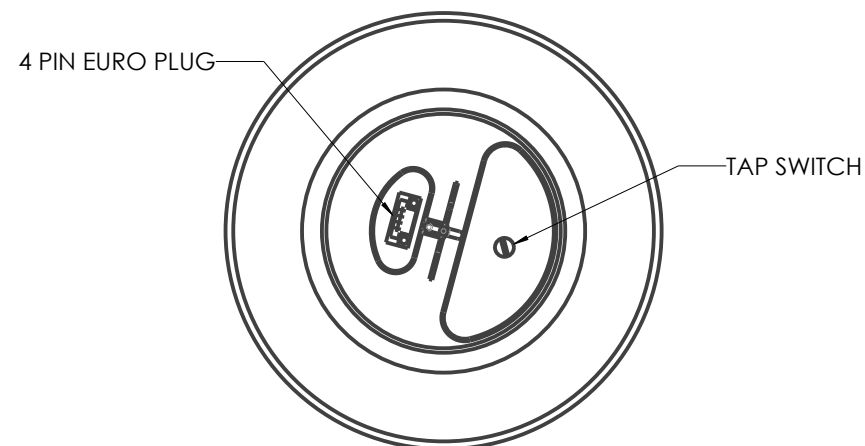
REVISION			
REV	DESCRIPTION	BY	DATE
A	INITIAL RELEASE	JD	16-JAN-20



SIDE VIEW
CABLE GLAND NOT SHOWN



BOTTOM VIEW
GRILLE NOT SHOWN



TOP VIEW
CONNECTOR AND SWITCH COVERS NOT SHOWN

UNLESS OTHERWISE SPECIFIED DIMENSIONS ARE IN MM [IN] TOLERANCES ARE: DECIMALS ANGLES .X ± 3 [.12] ± 1°	CAD GENERATED DRAWING DO NOT MANUALLY UPDATE	QSC, LLC 1675 MACARTHUR BOULEVARD COSTA MESA, CA 92626 USA
	APPROVALS	
MATERIAL N/A	DRAWN BY J. DELARM	SPEAKER, FINISHED, AD-P.HALO
FINISH N/A	MECH ENGINEER B. HAWKINS	
DO NOT SCALE DRAWING	TECH DIRECTOR R. LAZZARI	
PROJECTION SYMBOL	MFG ENGINEER S. YIN	SIZE CAGE CODE DWG. NO. REV B 00PW4 FG-901283-2D A SCALE: 1:6 CAD FILE: FG-901283-2D.A.3 SHEET: 1 OF 1