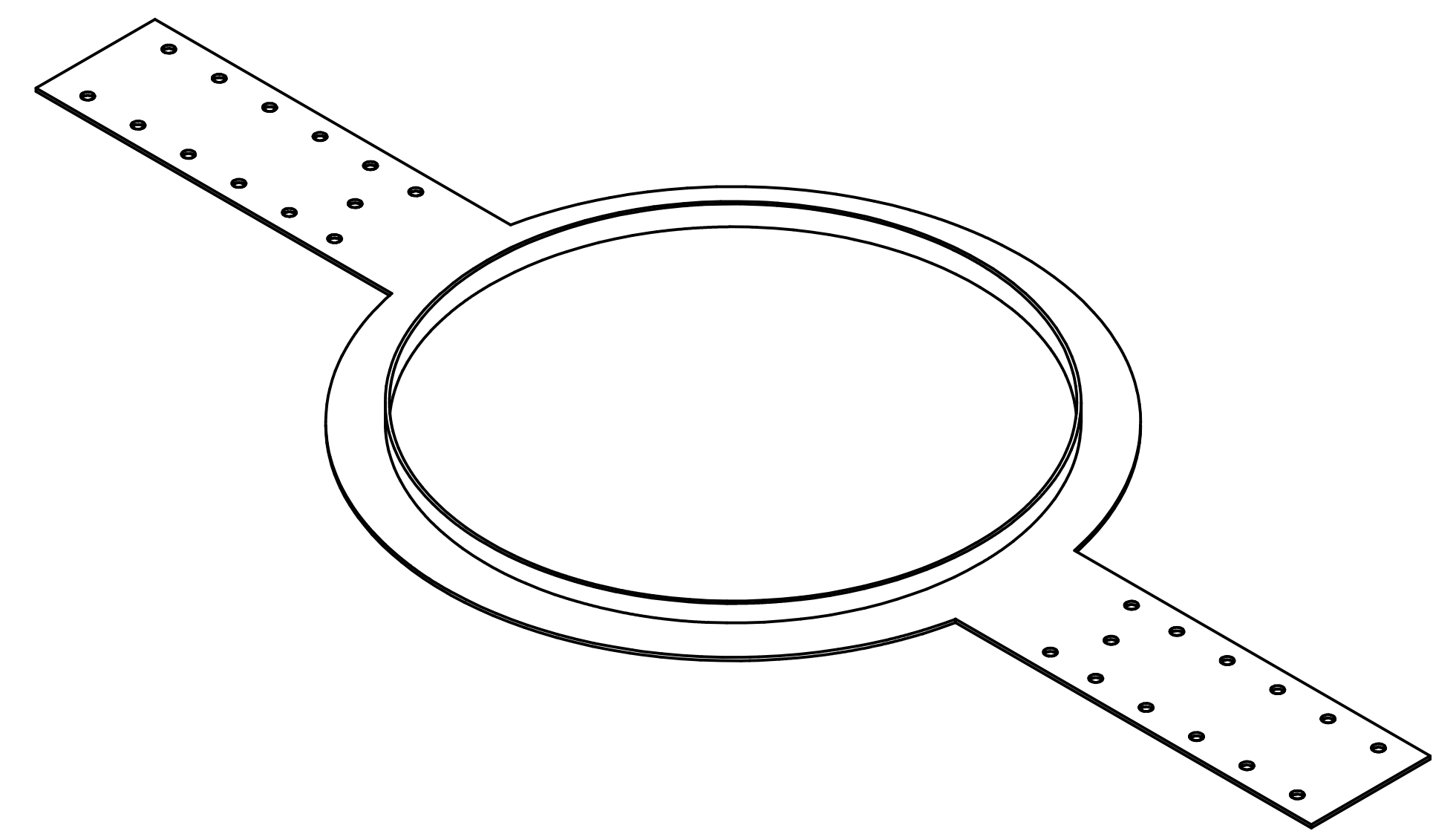
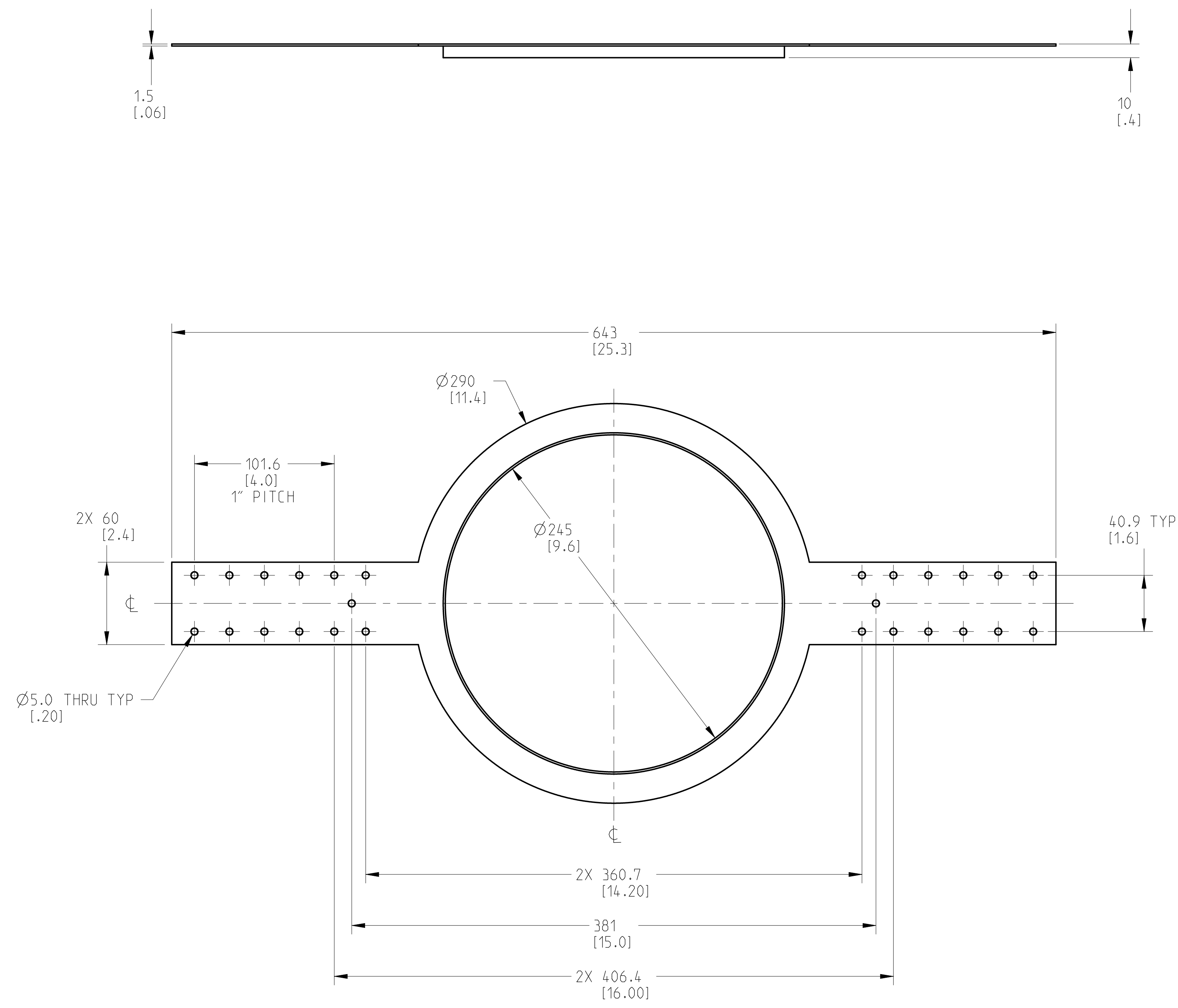


THIS DOCUMENT CONTAINS PROPRIETARY INFORMATION WHICH IS THE PROPERTY OF QSC, LLC. THAT MAY NOT BE DISCLOSED, REPRODUCED OR USED WITHOUT EXPRESS WRITTEN CONSENT FROM QSC, LLC.

REVISIONS			
REV	DESCRIPTION	BY	DATE
A	RELEASE FOR SALES AND MARKETING	ES	06-JUN-16



- 4. DIMENSIONS ARE IN MILLIMETERS [INCH].
- 3. PARTS ARE SYMMETRICAL ABOUT CENTER LINES UNLESS OTHERWISE NOTED.
- 2. TOLERANCES (MM): X ± 3, ANGLES: ± 1°.
- 1. NET WEIGHT APPROXIMATELY 0.5 KG [1.1 LBS].

NOTES: UNLESS OTHERWISE SPECIFIED

UNLESS OTHERWISE SPECIFIED DIMENSIONS IN MILLIMETERS (IN) TOLERANCES ARE: DECIMALS .XX ± .01 ANGLES ± 1/2 DECURR EDGES .25 (1.01) R MAX MATERIAL FINISH	DESIGNER ENG. SERVICES	QSC, LLC 1675 MACARTHUR BOULEVARD COSTA MESA, CA 92626 MUD RING, AD-MR6 FINISHED	SIZE	CAGE CODE	DRAWING NO.	REV
	ENGINEER		D	00PW4	FG-000296-2D	A
	TECHNICAL DIRECTOR		SCALE: 0.500	DO NOT SCALE DRAWING	SHEET	1 OF 1
	MANUFACTURING ENGINEER					
DRAWING INFO: FG-000296-2D.A.1						
MODEL INFO: FG-000296-3D.A.1						