

AcousticDesign™ Series

AD-C245C Zero Bezel Accessory

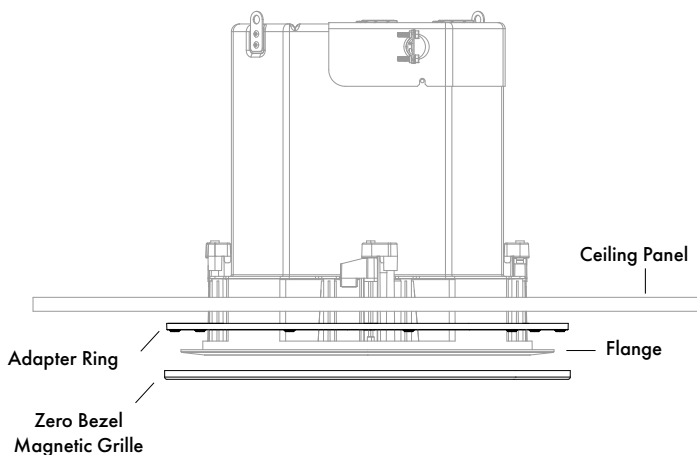
AD-C305C Zero Bezel Accessory

The optional Zero Bezel Accessory for select AcousticDesign Series loudspeakers includes an adapter ring and a replacement magnetic grille that, once installed, covers the entire loudspeaker flange. Refer to the table to match the correct accessory model number to your loudspeaker:

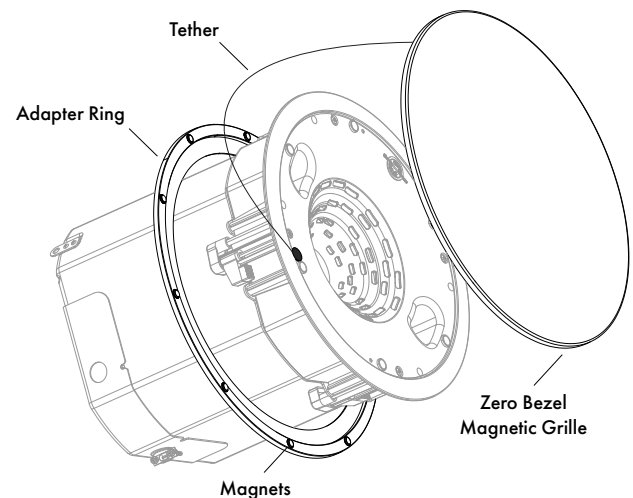
Accessory Model	Part Number	Loudspeaker Compatibility
AD-C245C	FG-901617-02	AD-C6T-HP AD-C4T-LP AD-C6T
AD-C305C	FG-901618-02	AD-C6T-HC AD-C.SUB AD-C6T-LP

Mount the Loudspeaker: Zero Bezel Accessory

1. Place the adapter ring behind the loudspeaker flange and below the ceiling panel. See Figure 1.
2. Secure the loudspeaker's dog-ears. (Refer to your loudspeaker model's user manual for guidance.)
3. Insert the Zero Bezel magnetic grille's safety tether pin into the supplied hole on the loudspeaker baffle. See Figure 2.
4. Install the Zero Bezel grille, making sure that it's securely held in place. The old grille can be discarded, if desired.



— Figure 1 —



— Figure 2 —





Knowledge Base

Find answers to common questions, troubleshooting information, tips, and application notes. Link to support policies and resources, including Q-SYS Help, software and firmware, product documents, and training videos. Create support cases.
support.qsys.com

Customer Support

Refer to the Contact Us page on the Q-SYS website for Technical Support and Customer Care, including their phone numbers and hours of operation.
qsys.com/contact-us/

Warranty

For a copy of the QSC Limited Warranty, go to:
qsys.com/support/warranty-statement/