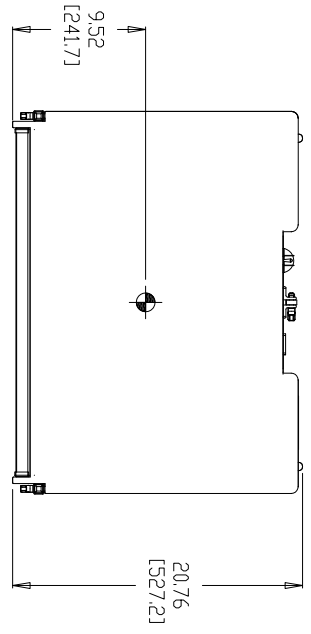
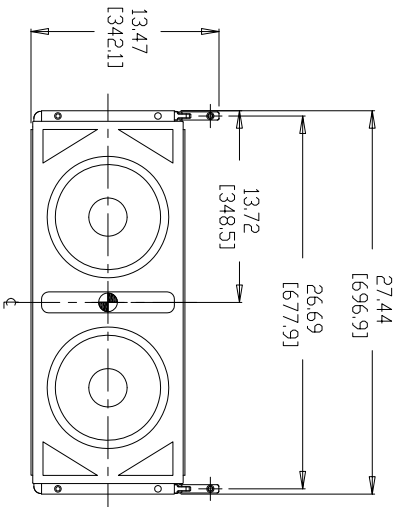


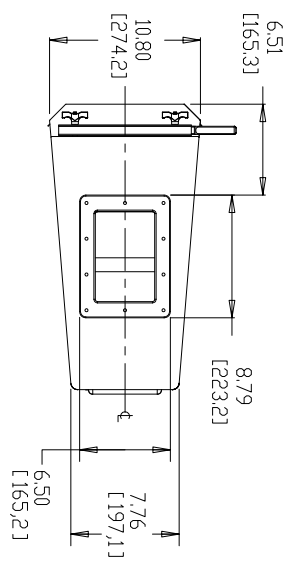
THIS DRAWING CONTAINS PROPRIETARY INFORMATION AND IS THE PROPERTY OF QSC AUDIO PRODUCTS, INC. IT IS TO BE USED ONLY FOR THE PROJECT AND BY THE PARTY SPECIFICALLY IDENTIFIED THEREIN. IT IS NOT TO BE REPRODUCED, COPIED, OR TRANSMITTED IN ANY FORM OR BY ANY MEANS, ELECTRONIC OR MECHANICAL, INCLUDING PHOTOCOPYING, RECORDING, OR BY ANY INFORMATION STORAGE AND RETRIEVAL SYSTEM.



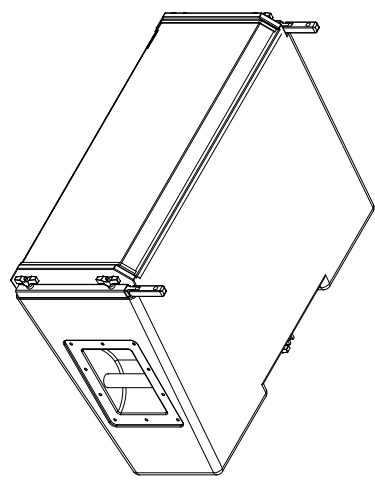
TOP



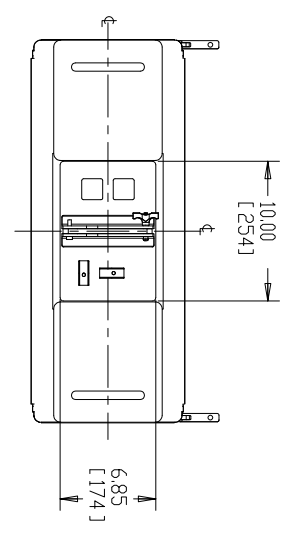
FRONT



RIGHT



WL2102-W



REAR

REV	DESCRIPTION	EFF DATE	CHK	APPROVED DATE
A	RELEASE PER ECD 7402 JD	09-01-06		B.H.

UNLESS OTHERWISE SPECIFIED DIMENSIONS ARE IN INCHES. TOLERANCES ARE:

DECIMALS	FRACTIONS	ANGLES
XX ±.02	XXX ±.010	±1/2°
REFER EDGES .010 R MAX		

MATERIAL: NONE
FINISH: NONE

DD NOT SCALE DRAWING

CONTRACT NO. RD-000387-03-mch1A.2+

APPROVALS	DATE
DRAWN: J. DELARM	31-Aug-06
CHECKED: B. HAWKINS	31-Aug-06
DESIGNED: A. RUTKIN	31-Aug-06
ISSUED: D. DELARM	31-Aug-06

QSC AUDIO PRODUCTS, INC.
1675 MACARTHUR BOULEVARD
COSTA MESA, CA 92626

SPEAKER, FINISHED, WL2102-W

SIZE: C
GRADE CODE: 00P W4
SCALE: 0.150

DWG NO: RD-000387-01
REV: 1

SHEET: 1 OF 1

- PARTS ARE SYMMETRICAL ABOUT CENTER LINES UNLESS OTHERWISE NOTED.
 - SYMBOL INDICATES SUSPENSION POINT, $\phi .34"$.
 - SYMBOL INDICATES CENTER OF BALANCE.
 - TOLERANCES (INCHES): .XX ± .13, ANGLES: ± 1°.
 - NET WEIGHT APPROX: 83 LBS (37.7 KG).
- NOTE: UNLESS OTHERWISE SPECIFIED

A

B

C

D

A

B

C

D

RD-000387-01

SH 1

REV A